



SPECIFICATIONS BOOK

We Accommodate All Brands and Types of Delivery Systems and Major Dental Equipment.



Designed to fit. Built to perform.



<i>ORDERING INFORMATION</i>	1A
<i>WARRANTY</i>	1A
<i>REAR SUPPORT CABINETS</i>	1-11
<i>REAR SUPPORT PEX</i>	12-14
<i>CENTRE ISLAND CABINETS</i>	15-20
<i>SIDE CABINETS</i>	21-24
<i>STERILIZATION CENTRE CABINETS</i>	25-29
<i>MOBILE CARTS</i>	30

- 1** *SELECT A STANDARD CABINET*
- 2** *ADD OPTIONAL CONFIGURATION FEATURES*
- 3** *ADD OPTIONS AND ACCESSORIES*
- 4** *PICK YOUR COLORS*

Check or circle appropriate selections on a photocopied order checklist. Fill in the prices on your choices as appropriate, total, and indicate the quantity required. Please fill in separate checklist for each cabinet unless all options are identical. Upon finalizing an order, Bow Wood will provide a line drawing, pricing sheet and a delivery date. Allow six weeks for standard orders, custom orders may take longer.

The following pages show standard configurations and designs. Bow Wood has extensive capabilities in specialist requirements and equipment accommodation. If you require dimensions or layouts different to these shown, please contact us and we will be pleased to provide customized designs to suit your project requirements.

Prices and products specifications shown are subject to change without notice. Please contact your Bow Wood representative for final quote pricing.

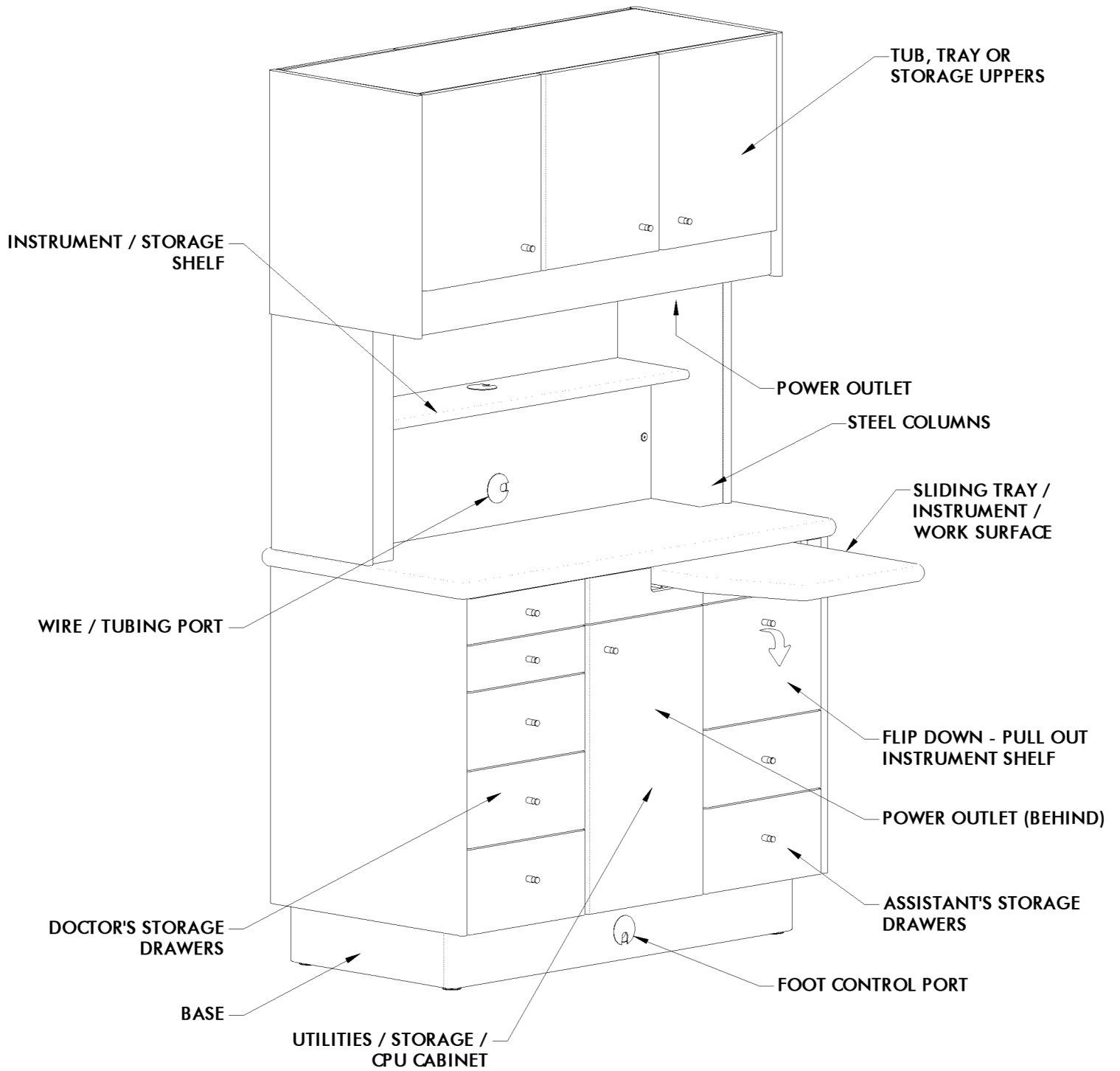
WARRANTY

FIVE YEAR WARRANTY

Guaranteed to be free from defects in workmanship and materials for five years from the date of purchase. Warranty covers the replacement of defective parts or components only (labor not included). Warranty does not cover damage by misuse, improper installation or accident. Warranty does not cover damage or discoloration caused by cleaning or disinfecting processes and chemicals. Freight damage is the responsibility of the freight carrier.

REAR SUPPORT CABINETS

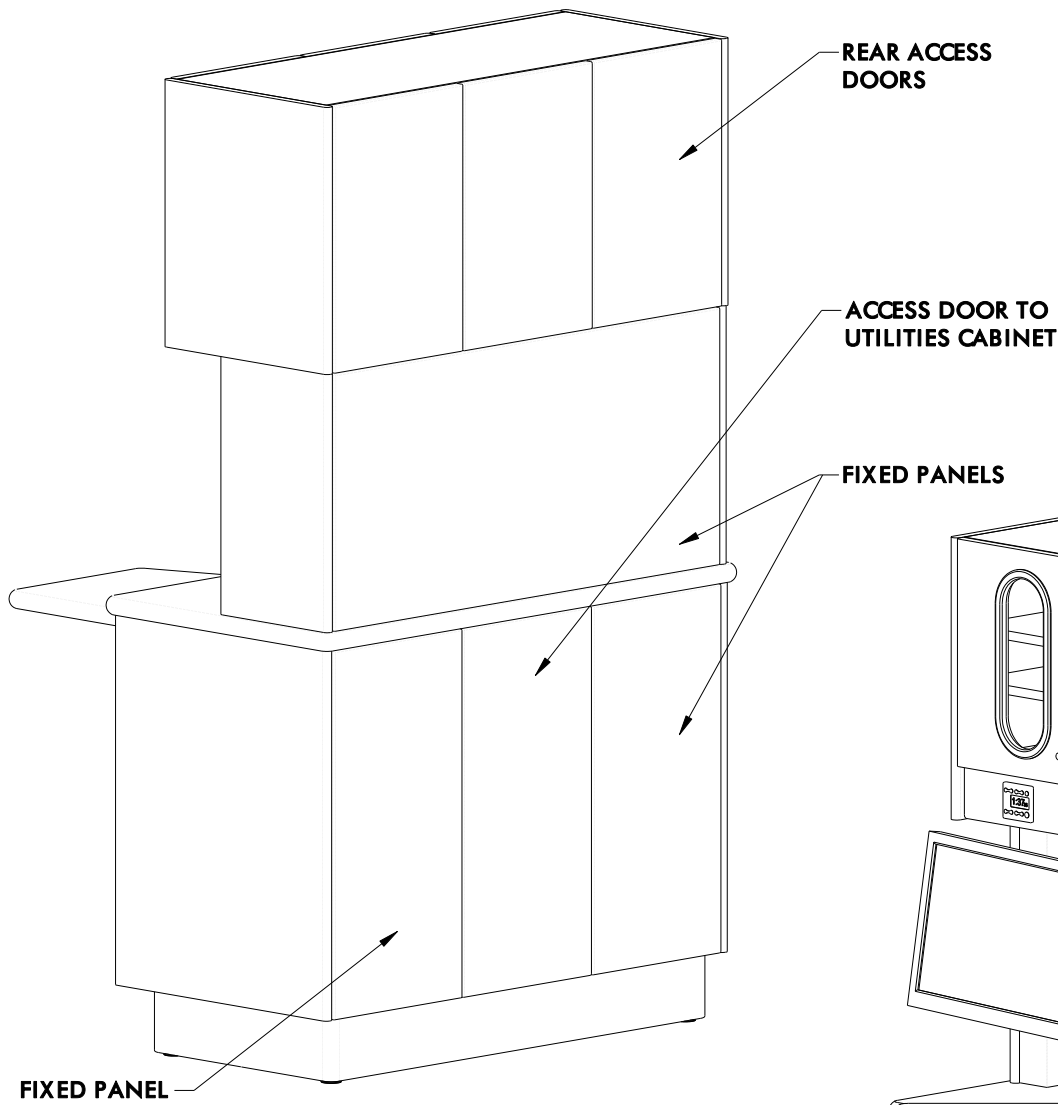
PRODUCT FEATURES



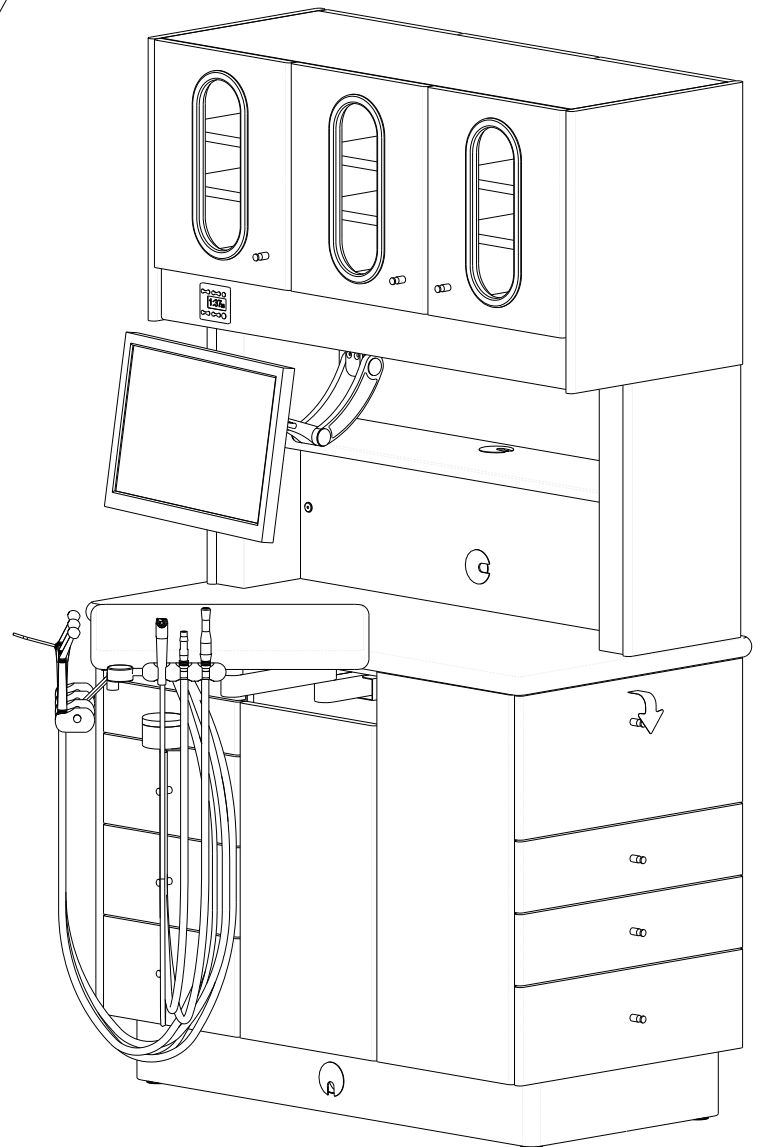
RS / RS12

REAR SUPPORT CABINETS

PRODUCT FEATURES



RS / RS12
FINISHED BACK

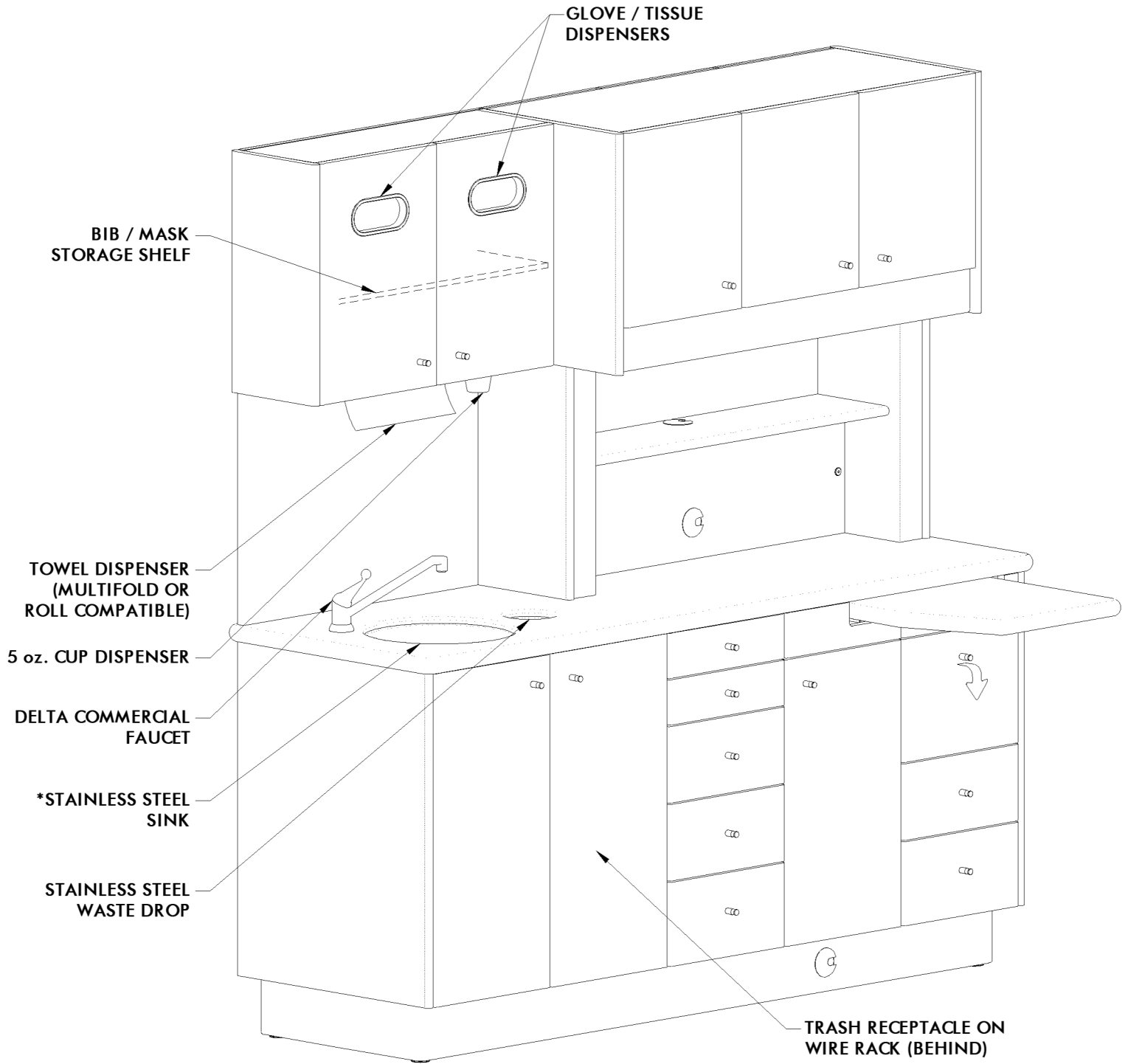


RS / RS12
FACTORY INSTALLED OPTIONS

REAR SUPPORT CABINETS

PRODUCT FEATURES

(In Addition to Features Shown On RS / RS12)

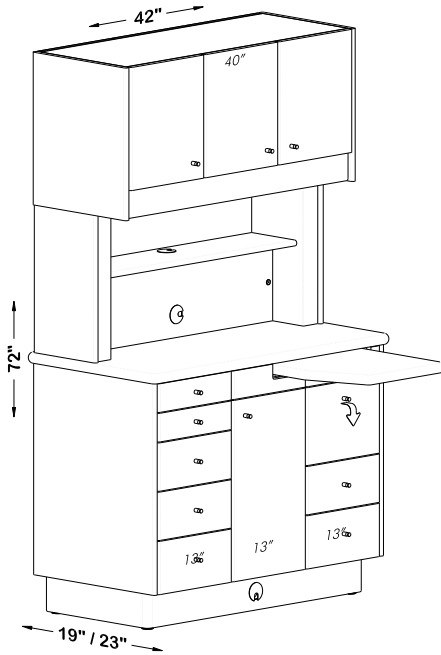


RS1 / RS2

*Sink under mounted when ordered w/ Solid Surface countertop

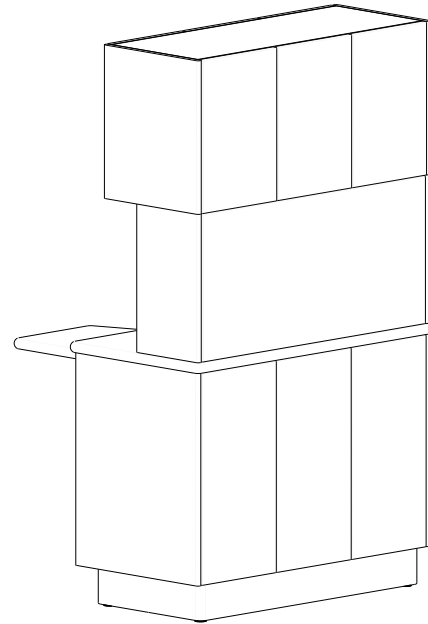
REAR SUPPORT CABINETS

STANDARD CONFIGURATIONS



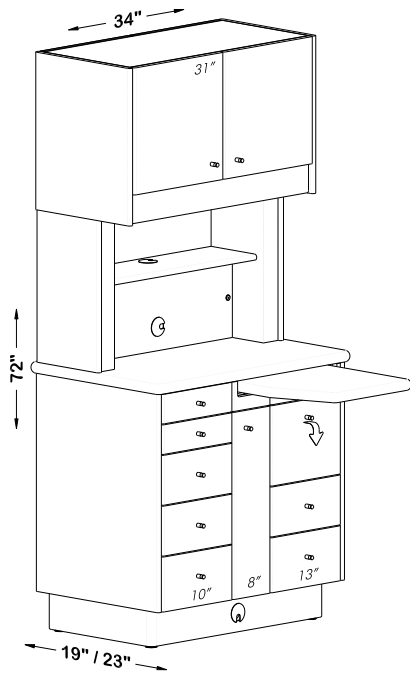
RS 19" or 23"

w/ Solid Surface..... \$6,023.00
w/ Laminate..... \$5,319.00



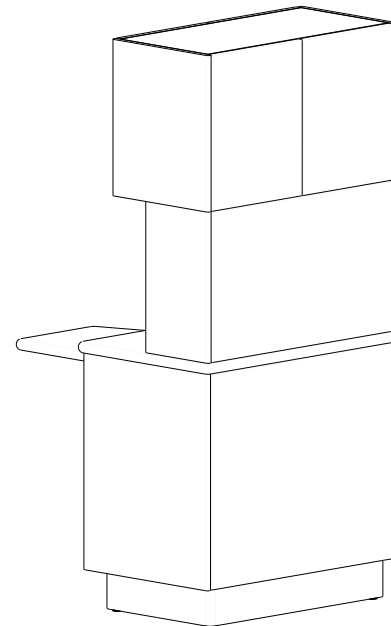
**w/ STANDARD FINISHED BACK
AND PASS THROUGH UPPERS**

Add \$440.00



RS12 19" or 23"

w/ Solid Surface..... \$5,799.00
w/ Laminate..... \$5,214.00

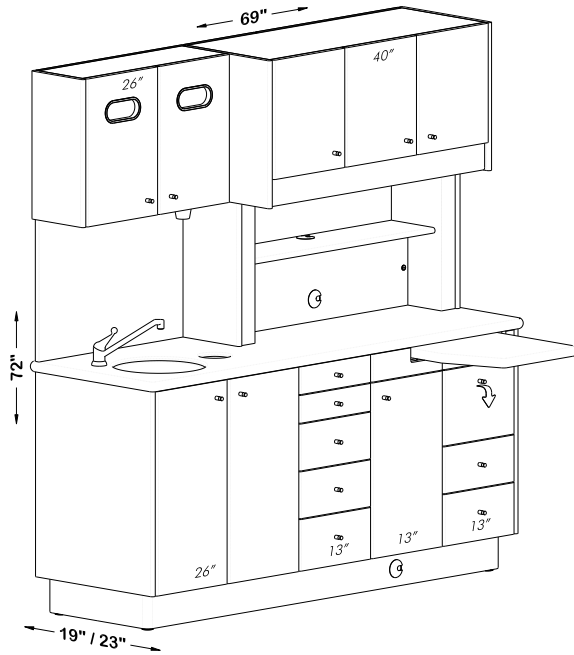


**w/ STANDARD FINISHED BACK
AND PASS THROUGH UPPERS**

Add \$330.00

REAR SUPPORT CABINETS

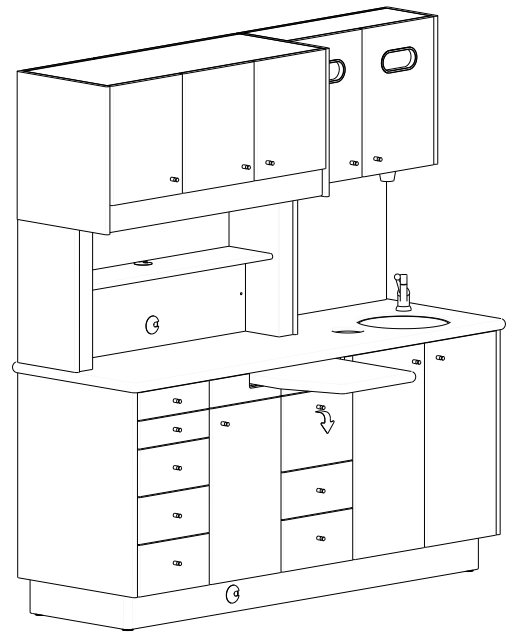
STANDARD CONFIGURATIONS



RS1 L - Doctor's Side Sink
19" or 23"

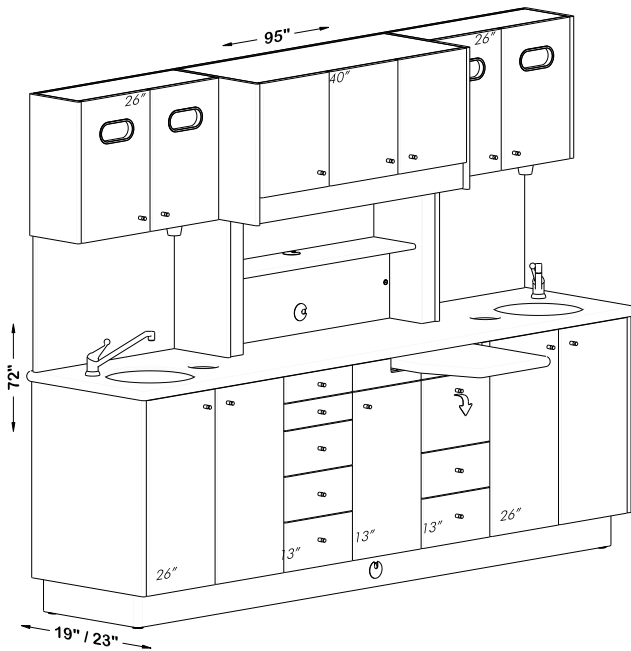
w/ Solid Surface..... \$7,420.00
w/ Laminate..... \$6,265.00

← OR →



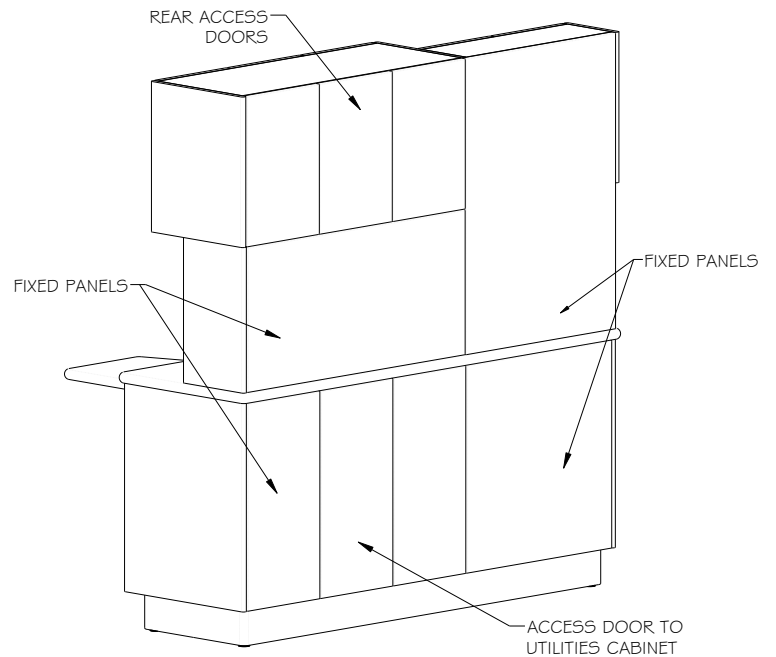
RS1 R - Assistant's Side Sink
19" or 23"

w/ Optional Finished Back Add... \$836.00



RS2 - Standard
19" or 23"

w/ Solid Surface..... \$8,482.00
w/ Laminate..... \$6,870.00

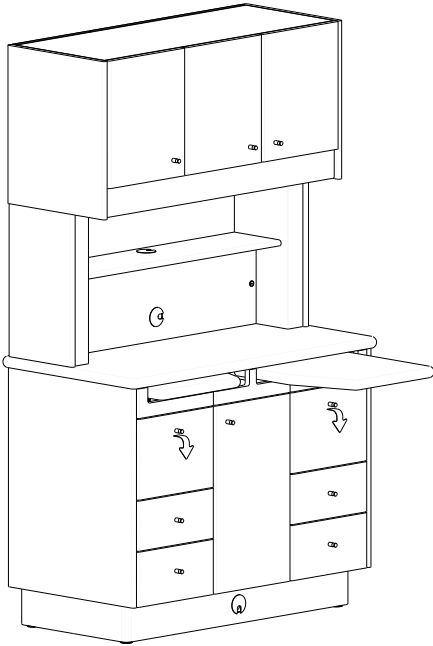


RS1 / RS2
Finished Back

w/ Optional Finished Back Add... \$1,254.00

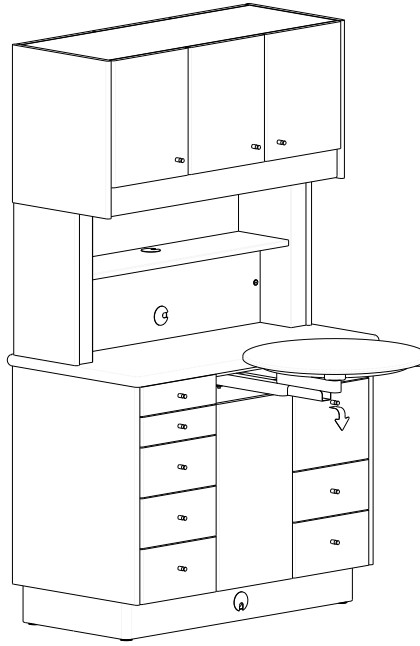
REAR SUPPORT CABINETS

OPTIONAL CONFIGURATIONS



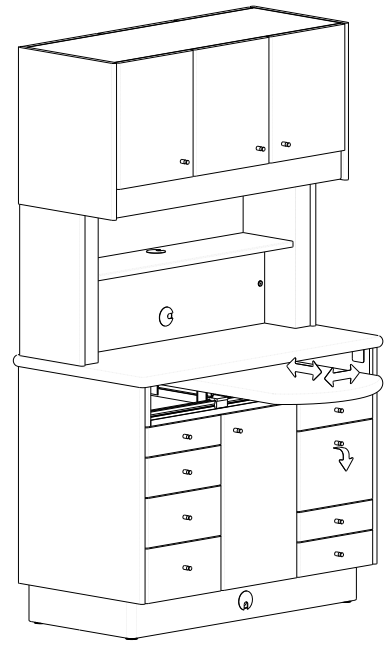
DUAL L/R PULL-OUT COUNTERS

w/ Solid Surface Add..... \$908.00
w/ Laminate Add..... \$759.00



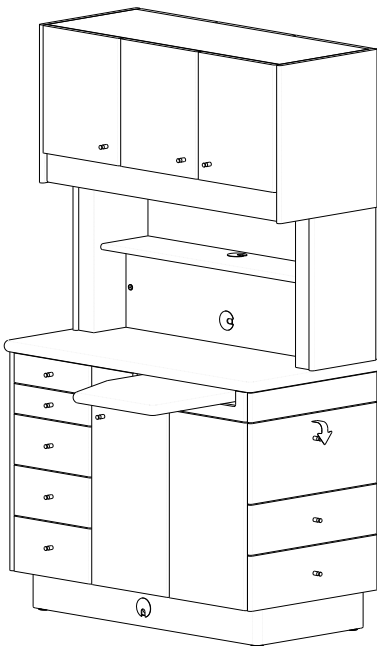
DUO SWING TABLE

Round Add..... \$1,034.00
Square Add..... \$792.00
Solid Surface Add \$149.00



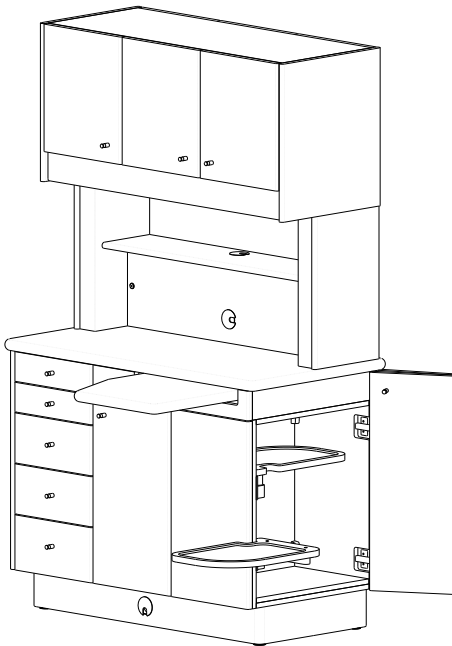
LINEAR SLIDING COUNTER

w/ Solid Surface Add..... \$1,122.00
w/ Laminate Add..... \$968.00



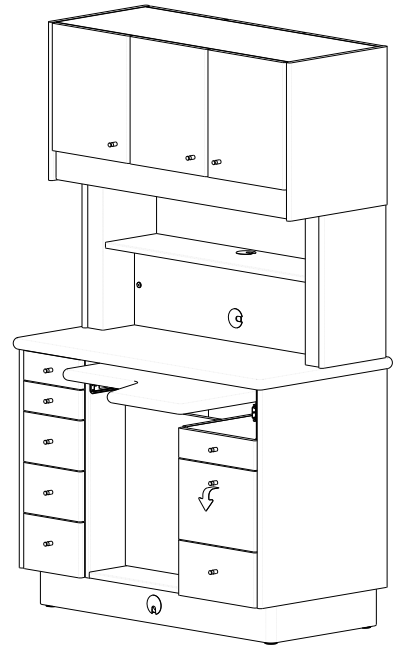
SIDE OPENING DRAWERS

Add (per side)..... \$209.00



SIDE OPENING SWING TRAY (2)

Add (per side)..... \$424.00
Extra Tray Add..... \$215.00



FOREST PULL-OUT

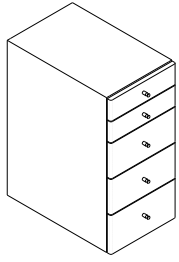
w/ Solid Surface Add..... \$935.00
w/ Laminate Add..... \$792.00

REAR SUPPORT CABINETS

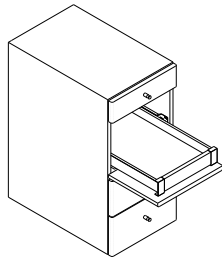
DRAWER BANK OPTIONS



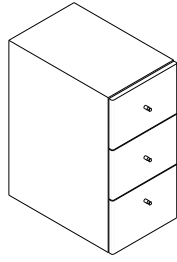
BowWood
cabinet systems



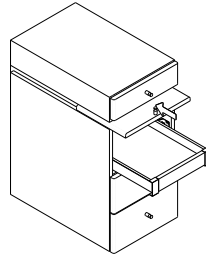
DOCTOR'S STYLE
..... N/C



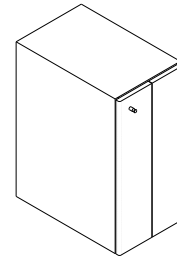
ASSISTANT'S STYLE
..... N/C



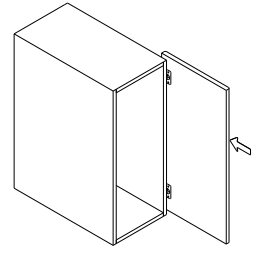
EQUIPMENT STYLE
..... N/C



FLIP & PUSH STYLE
..... \$165.00



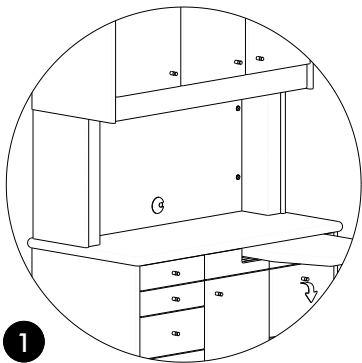
BI-FOLD STYLE
..... N/C



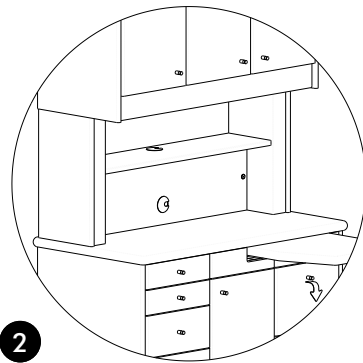
POCKET STYLE
..... \$165.00

Standard doctor's or assistant's drawers may be exchanged for any style shown above at the listed price.
To exchange utilities cabinet for any style drawer bank add \$534.00
To exchange utilities cabinet for bi-fold style add \$182.00

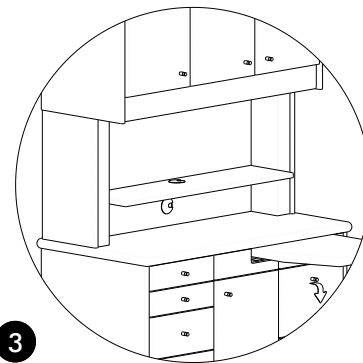
MID-SECTION HUTCH OPTIONS



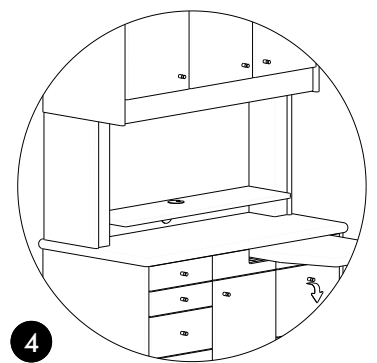
1
FULL SPLASH
..... N/C



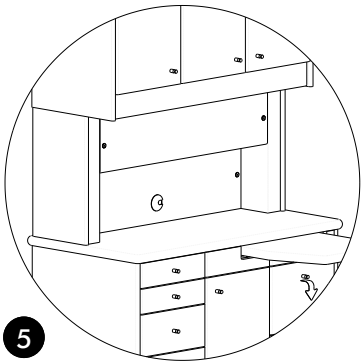
2
STANDARD SHELF
..... N/C



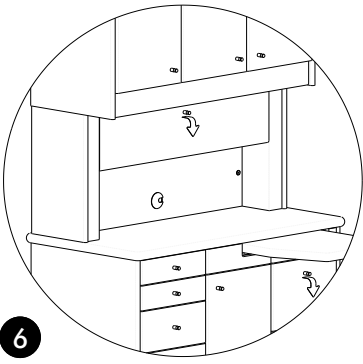
3
HALF HEIGHT SHELF
..... N/C



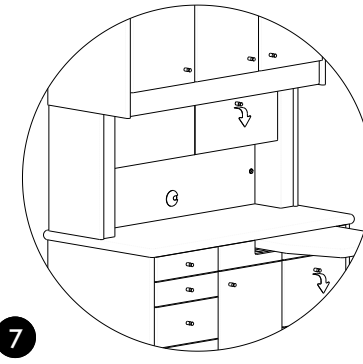
4
QUARTER HEIGHT SHELF
..... N/C



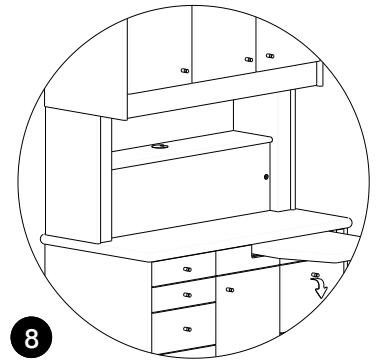
5
UPPER ACCESSORY PANEL
..... \$248.00



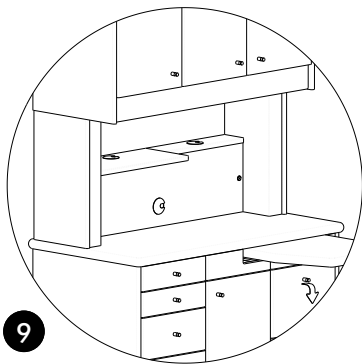
6
UPPER STORAGE
..... \$358.00



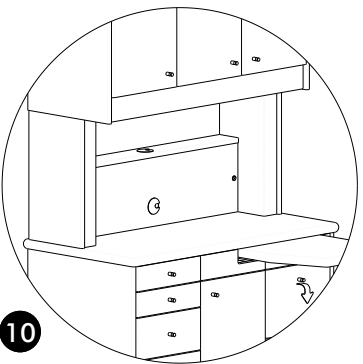
7
SPLIT STORAGE/ACCESSORY
..... \$413.00



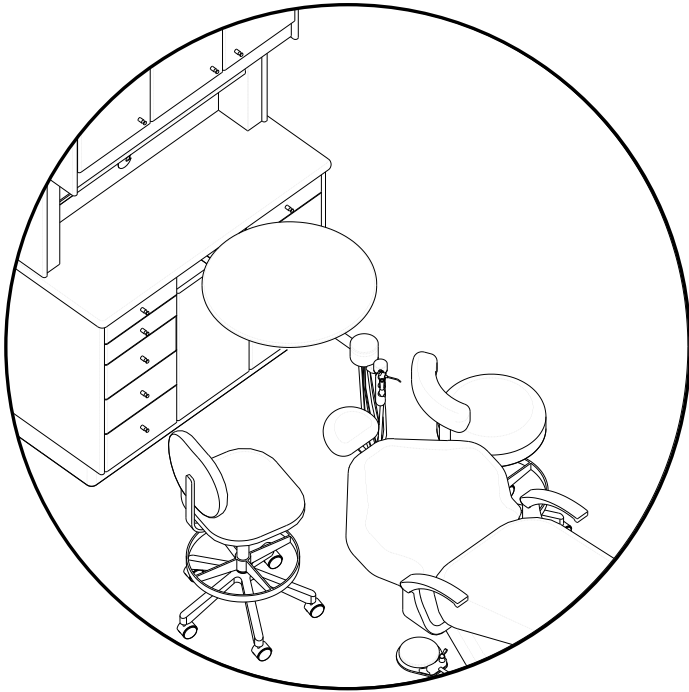
8
BASE ACCESSORY PANEL
..... N/C



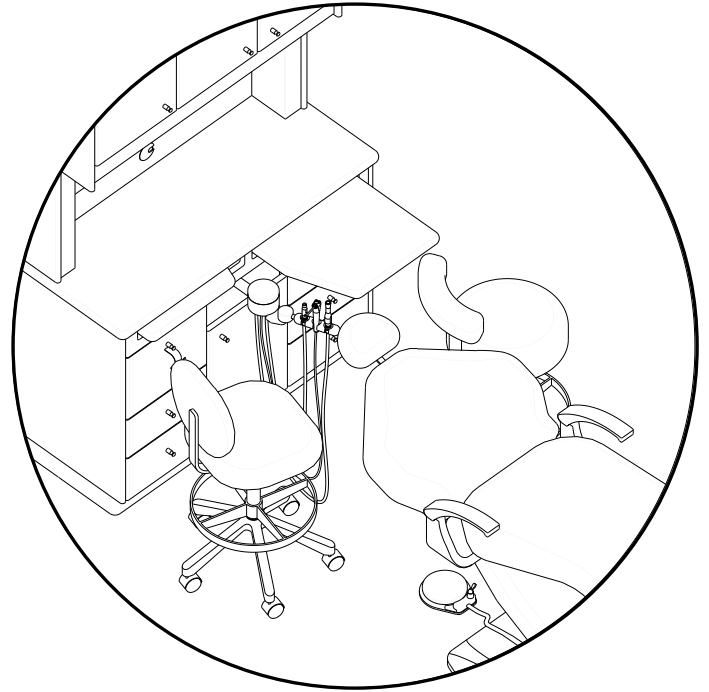
9
SPLIT SHELF
..... \$138.00



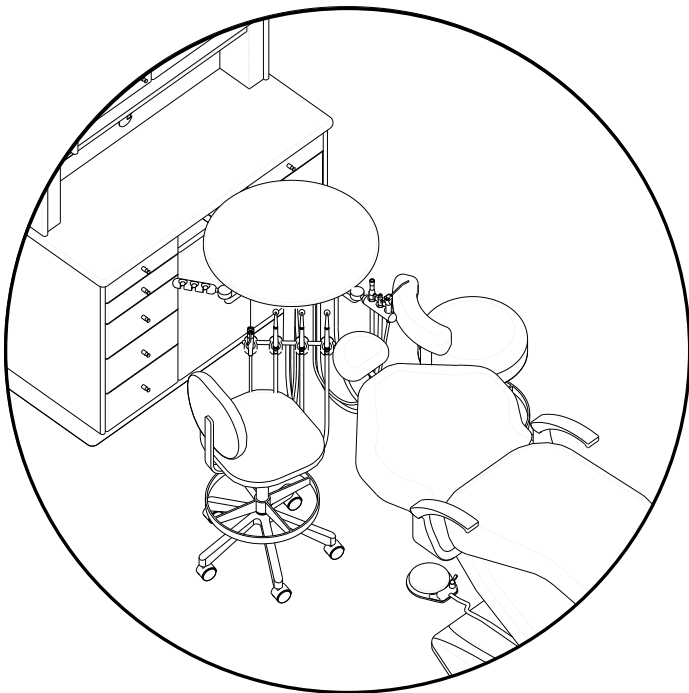
10
SHALLOW SHELF
..... N/C



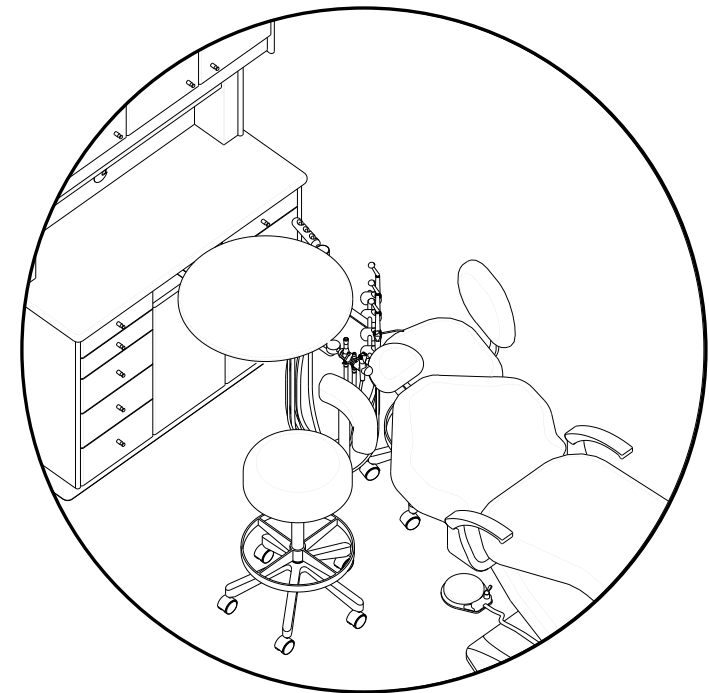
ASSISTANT'S ARM - SWING TABLE MOUNT



***ASSISTANT'S ARM
STANDARD OR DUAL PULL-OUT MOUNT***

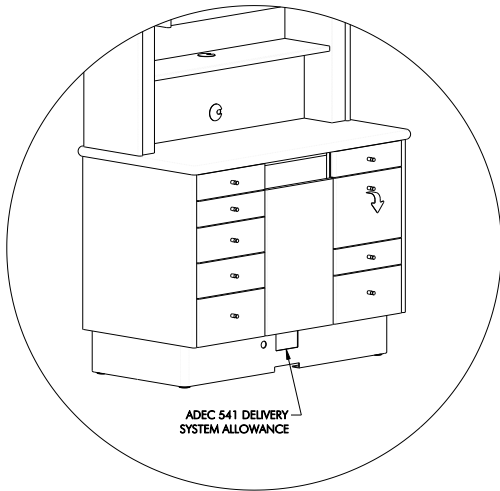


AMBIDEXTROUS DOCTOR'S & ASSISTANT'S COMBINATION



REAR SUPPORT CABINETS

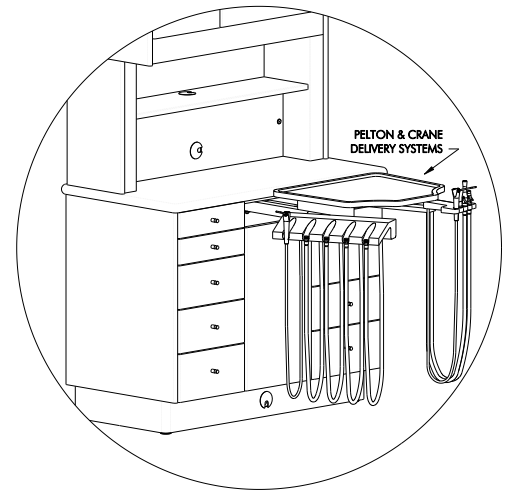
OPTIONAL REAR DELIVERY EQUIPMENT*



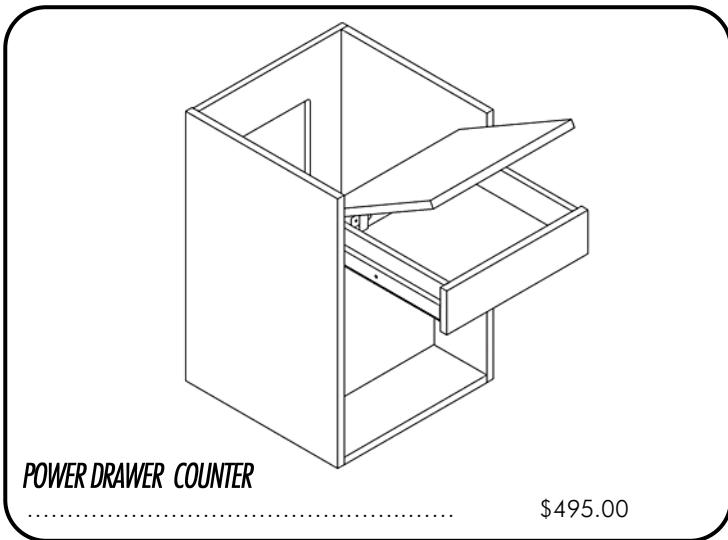
ADEC DELIVERY SYSTEM ALLOWANCE
 \$220.00



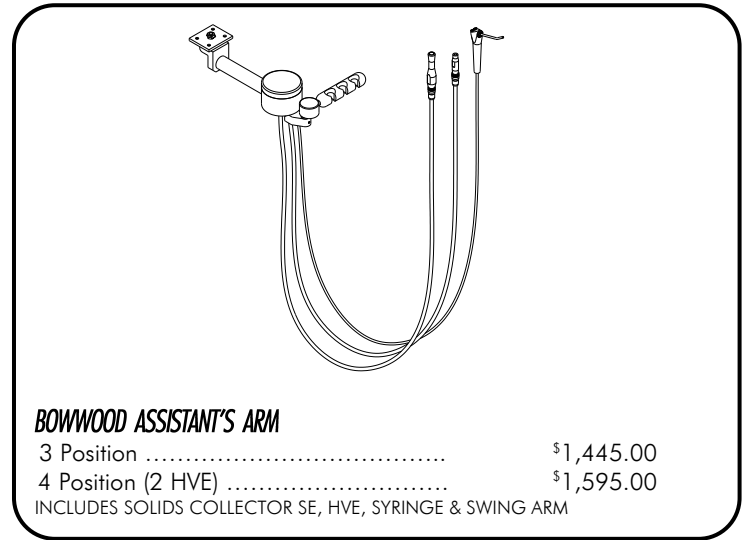
MIDMARK SWING TABLE ALLOWANCE
 \$110.00



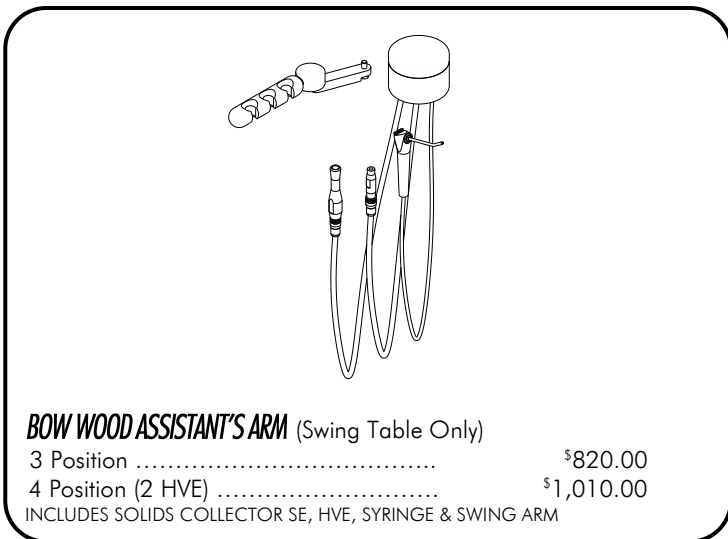
PELTON & CRANE DELIVERY ALLOWANCE
 \$110.00



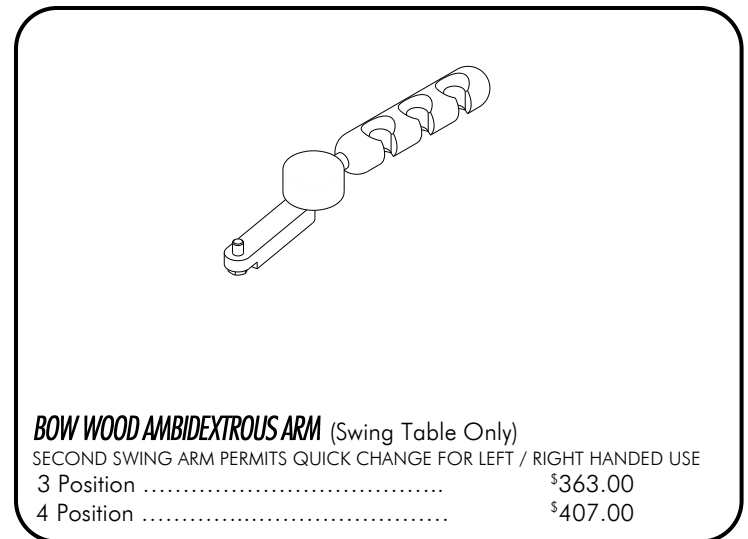
POWER DRAWER COUNTER
 \$495.00



BOWWOOD ASSISTANT'S ARM
 3 Position \$1,445.00
 4 Position (2 HVE) \$1,595.00
 INCLUDES SOLIDS COLLECTOR SE, HVE, SYRINGE & SWING ARM



BOW WOOD ASSISTANT'S ARM (Swing Table Only)
 3 Position \$820.00
 4 Position (2 HVE) \$1,010.00
 INCLUDES SOLIDS COLLECTOR SE, HVE, SYRINGE & SWING ARM




BOW WOOD AMBIDEXTROUS ARM (Swing Table Only)
 SECOND SWING ARM PERMITS QUICK CHANGE FOR LEFT / RIGHT HANDED USE
 3 Position \$363.00
 4 Position \$407.00

* 6 MONTH WARRANTY

REAR SUPPORT CABINETS

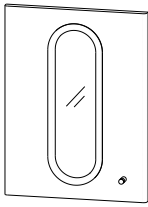
OPTIONS AND ACCESSORIES

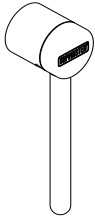
ALUMINUM FRAMED GLASS DOOR
PER DOOR \$182.00



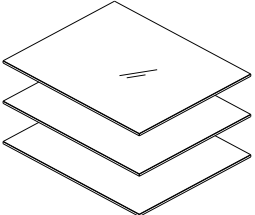
TASK LIGHT
..... \$173.00



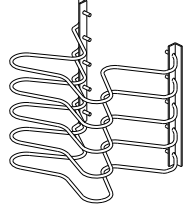
OVAL GLASS WINDOWS
..... \$138.00



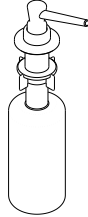
FAUCET CONTROL
..... \$784.00



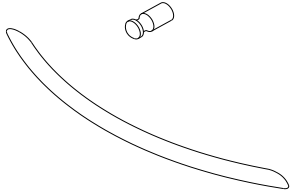
TEMPERED GLASS SHELF
Pkg of 3 \$145.00



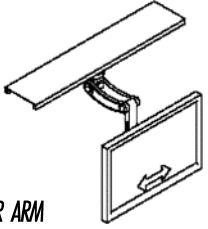
CHROME TUB-TRAY RACK
..... \$294.00



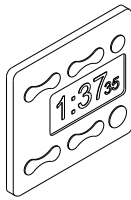
SOAP PUMP
..... \$153.00



PULLS: KNOB/BOW PULL
..... N/C



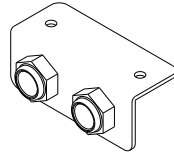
MONITOR ARM
..... \$963.00
w/ KEYBOARD TRAY \$1,575.00



DIGITAL TIMER CLOCK
..... \$110.00



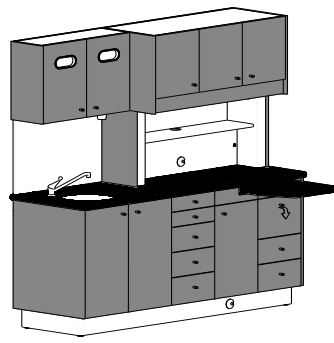
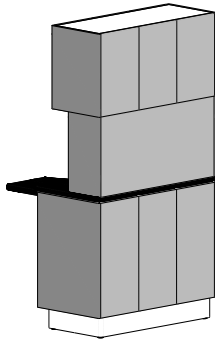
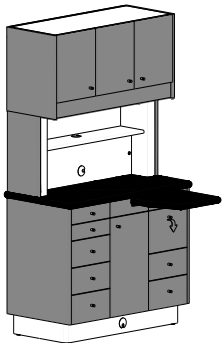
DCI DUAL WATER BOTTLE KIT
SELECTABLE CITY / STERILE WATER
..... \$463.00



SINGLE QUICK DISCONNECT
w/MOUNT & TUBING.... \$100.00
DUAL QUICK DISCONNECT
w/MOUNT & TUBING.... \$120.00

COLOR LOCATIONS

□ = BASE COLOR ■ = ACCENT ■ = FINISHED BACK ■ = COUNTER TOP



SPECIAL COLOR INFORMATION

Other solid surface colors and laminates from Wilsonart, Formica, Nevamar and Pionite are available, subject to an additional charge, per color, per order. Color sample chips and other information is available on the internet and at local dealers specializing in these materials.

BASE COLOR

- Surf
- Antique White

COUNTER TOP COLORS

Solid Surface

Meridian Series - See brochure for standard options.
Signature Series - See brochure for standard options, or specify color required.

ACCENT / FINISHED BACK COLORS

Meridian Series - See brochure for standard options.
Signature Series - Specify color required.

Plastic Laminate

Meridian Series - See brochure for standard options.
Signature Series - Specify color required.

Special order colors can be specified in Signature Series, upcharge may apply.

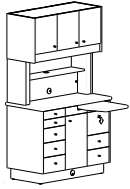
REAR SUPPORT CABINETS

ORDER CHECKLIST

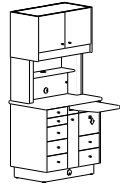


PLEASE MARK AN "X" CLEARLY IN THE APPROPRIATE BOXES

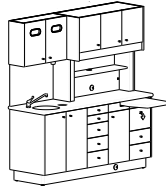
1 STANDARD CONFIGURATIONS



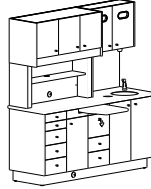
RS



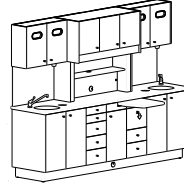
RS 12



RS1 L

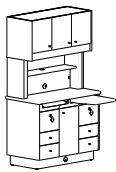


RS1 R



RS2

2 OPTIONAL CONFIGURATIONS



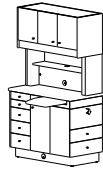
Dual L/R Sliding Counters



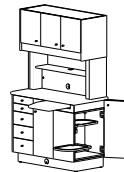
Duo Swig Table



Linear Sliding Counter



Side Opening Drawers
 Dr Ast



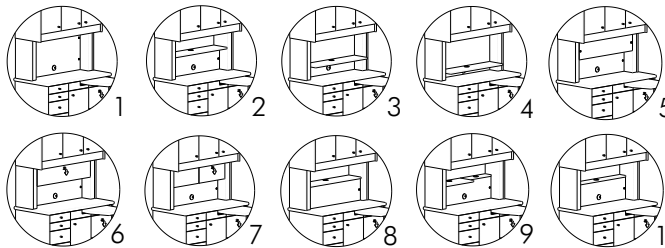
Side Opening Swing Tray
 Dr Ast



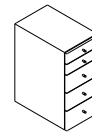
Forest Pull-out

3 HUTCH OPTIONS

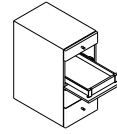
- (1) Full Splash (2) Standard Shelf
- (3) Half Shelf (4) Quarter Shelf
- (5) Upper Accessory Panel
- (6) Upper Storage
- (7) Split Storage/Accessory
- (8) Base Accessory Panel
- (9) Split Shelf (10) Shallow Shelf



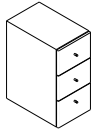
4 BANK OPTIONS



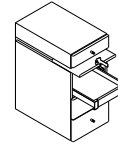
DR



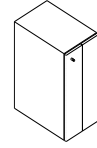
AST



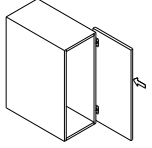
EQ



FP



BI



PS

Dr's Side: DR AST EQ FP BI
PS
Ast's Side: DR AST EQ FP BI PS
(Circle One)

Finished Back: Yes No
Depth: 23" 19"
Countertop: Solid Surface
 Laminate

Standard Config. \$ _____
Optional Config. \$ _____
Hutch Options \$ _____
Bank Options \$ _____

5 OPTIONS & ACCESSORIES

Hardware:	<input type="checkbox"/> Knob <input type="checkbox"/> Bow-Pull	\$N/C.....	\$ _____
Task Light:	<input type="checkbox"/> No <input type="checkbox"/> Yes	\$173.00 ea.	\$ _____
Oval Windows:	<input type="checkbox"/> No <input type="checkbox"/> Yes (Qty: _____)	\$138.00 ea.	\$ _____
Tempered Glass Shelves	<input type="checkbox"/> No <input type="checkbox"/> Yes (Qty-pkg of 3: _____)	\$145.00 ea.	\$ _____
Extra Glove Dispensers	<input type="checkbox"/> No <input type="checkbox"/> Yes (Qty: _____)	\$110.00 ea.	\$ _____
Chrome Tub/Tray Racks:	<input type="checkbox"/> No <input type="checkbox"/> Yes	\$294.00 ea.	\$ _____
Soap Pump:	<input type="checkbox"/> No <input type="checkbox"/> Yes	\$153.00 ea.	\$ _____
Digital Timer Clock:	<input type="checkbox"/> No <input type="checkbox"/> Yes	\$110.00 ea.	\$ _____
Foot Activated Faucet:	<input type="checkbox"/> No <input type="checkbox"/> Yes	\$784.00 ea.	\$ _____
Monitor Arm:	<input type="checkbox"/> No <input type="checkbox"/> Yes (w/ KEY TRAY <input type="checkbox"/>	\$963.00 / 1,575.00 ea.	\$ _____
DCI Water Bottle Kit:	<input type="checkbox"/> No <input type="checkbox"/> Yes	\$463.00 ea.	\$ _____
Quick Connect:	<input type="checkbox"/> No <input type="checkbox"/> Single <input type="checkbox"/> Dual	\$100.00 / 120.00 ea.	\$ _____
Additional Options / Notes:	_____	_____	\$ _____
	_____	_____	\$ _____
	_____	_____	\$ _____

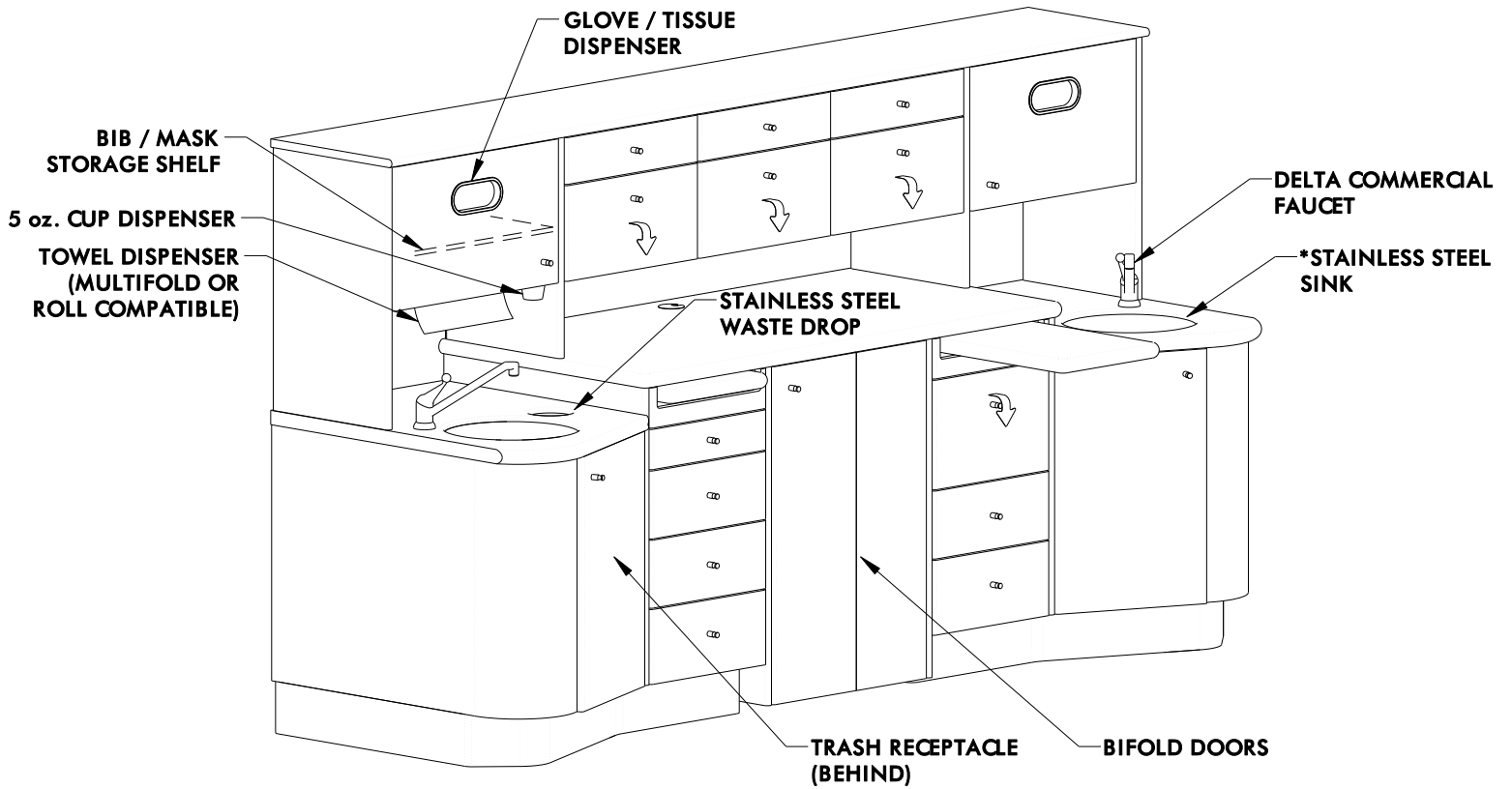
6 COLORS

Base Color: Surf Antique White Finished Back Color: _____ Countertop Color: _____
Accent Color: _____ (Colors chosen other than Bow Wood Select may be subject to an upcharge):

Doctor's Name: _____ Approved By: _____ Number of Units: _____ **TOTAL:**

REAR SUPPORT PEX

PRODUCT FEATURES

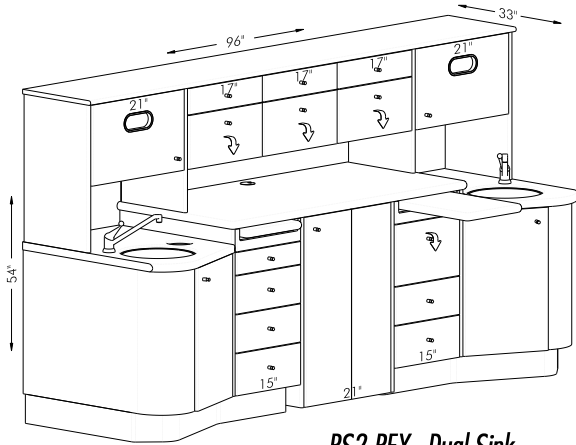


RS2 PEX

*Sink under mounted when ordered w/ Solid Surface countertop.
This cabinet is a direct replacement for a P & C 'Executive Cabinetry'.

REAR SUPPORT PEX

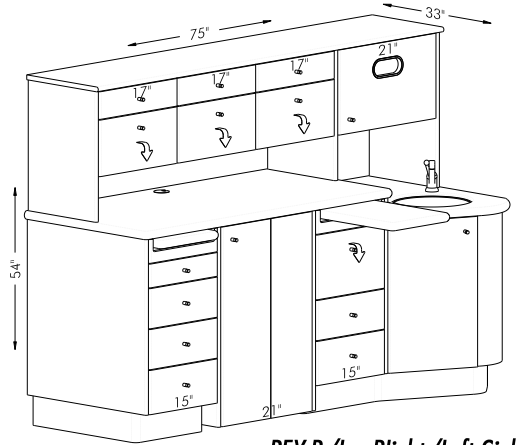
STANDARD CONFIGURATIONS



RS2 PEX - Dual Sink

w/ Solid Surface..... \$14,053.00
w/ Laminate..... \$12,804.00


← OR →



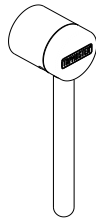
PEX-R/L - Right/Left Sink

w/ Solid Surface..... \$9,889.00
w/ Laminate..... \$8,916.00


OPTIONS & ACCESSORIES



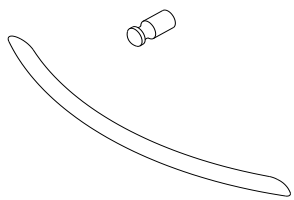
TASK LIGHT
..... \$173.00



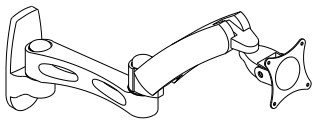
FAUCET CONTROL
..... \$784.00



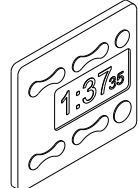
SOAP PUMP
..... \$153.00



PULLS: KNOB / BOW PULL
..... N/C



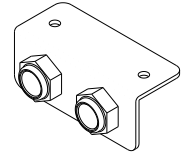
MONITOR ARM
..... \$350.00



DIGITAL TIMER CLOCK
..... \$110.00

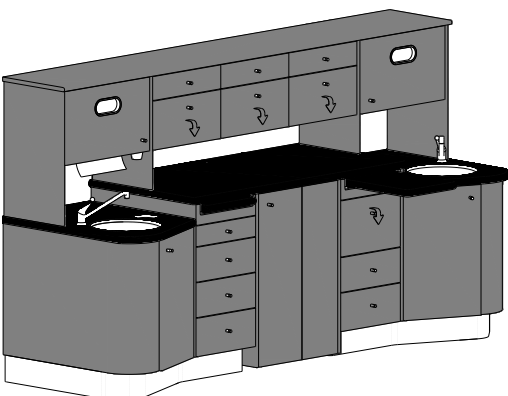


DCI DUAL WATER BOTTLE KIT
SELECTABLE CITY / STERILE WATER
..... \$463.00



SINGLE QUICK DISCONNECT
w/MOUNT & TUBING.... \$100.00
DUAL QUICK DISCONNECT
w/MOUNT & TUBING.... \$120.00

COLOR LOCATIONS



□ = BASE COLOR

■ = ACCENT

■ = COUNTER TOP

BASE COLOR

- Surf
- Antique White

COUNTER TOP COLORS

Solid Surface

Meridian Series - See brochure for standard options.
Signature Series - See brochure for standard options, or specify color required.

Plastic Laminate

Meridian Series - See brochure for standard options.
Signature Series - Specify color required.

Special order colors can be specified in Signature Series, upcharge may apply.

SPECIAL COLOR INFORMATION

Other solid surface colors and laminates from Wilsonart, Formica, Nevamar and Pionite are available, subject to an additional charge, per color, per order. Color sample chips and other information is available on the internet and at local dealers specializing in these materials.

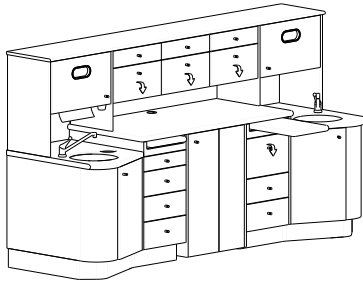
REAR SUPPORT PEX

ORDER CHECKLIST

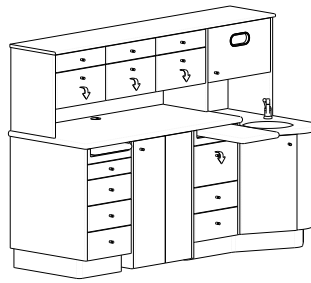


PLEASE MARK AN "X" CLEARLY IN THE APPROPRIATE BOXES

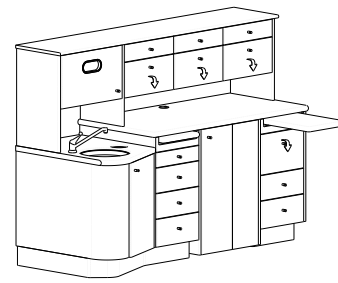
1 STANDARD CONFIGURATIONS



RS2 PEX



RS1 PEX-R



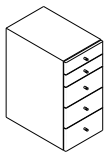
RS1 PEX-L

Countertop: Solid Surface Laminate

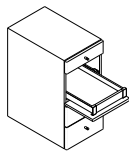
\$ _____

2 BANK OPTIONS

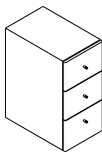
See page '7' for drawer bank pricing



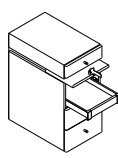
DR



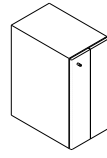
AST



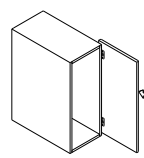
EQ



FP



BI



PS

Dr's Side: DR AST EQ FP BI PS

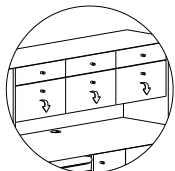
Asst's Side: DR AST EQ FP BI PS

(Circle One)

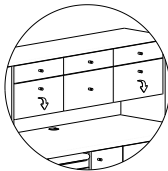
\$ _____

3 HUTCH OPTIONS

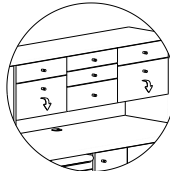
Any hutch bank can be exchanged with those shown below at no extra cost.



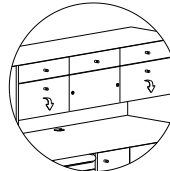
(1) 1 Drawer, 1 Storage



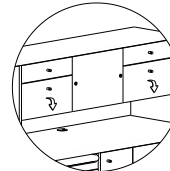
(2) 2 Drawers



(3) 3 Drawers



(4) 1 Drawer, 1 Accessory Panel



(5) Full Accessory Panel

Place the hutch number in the respective blank:

Left _____

Middle _____

Right _____

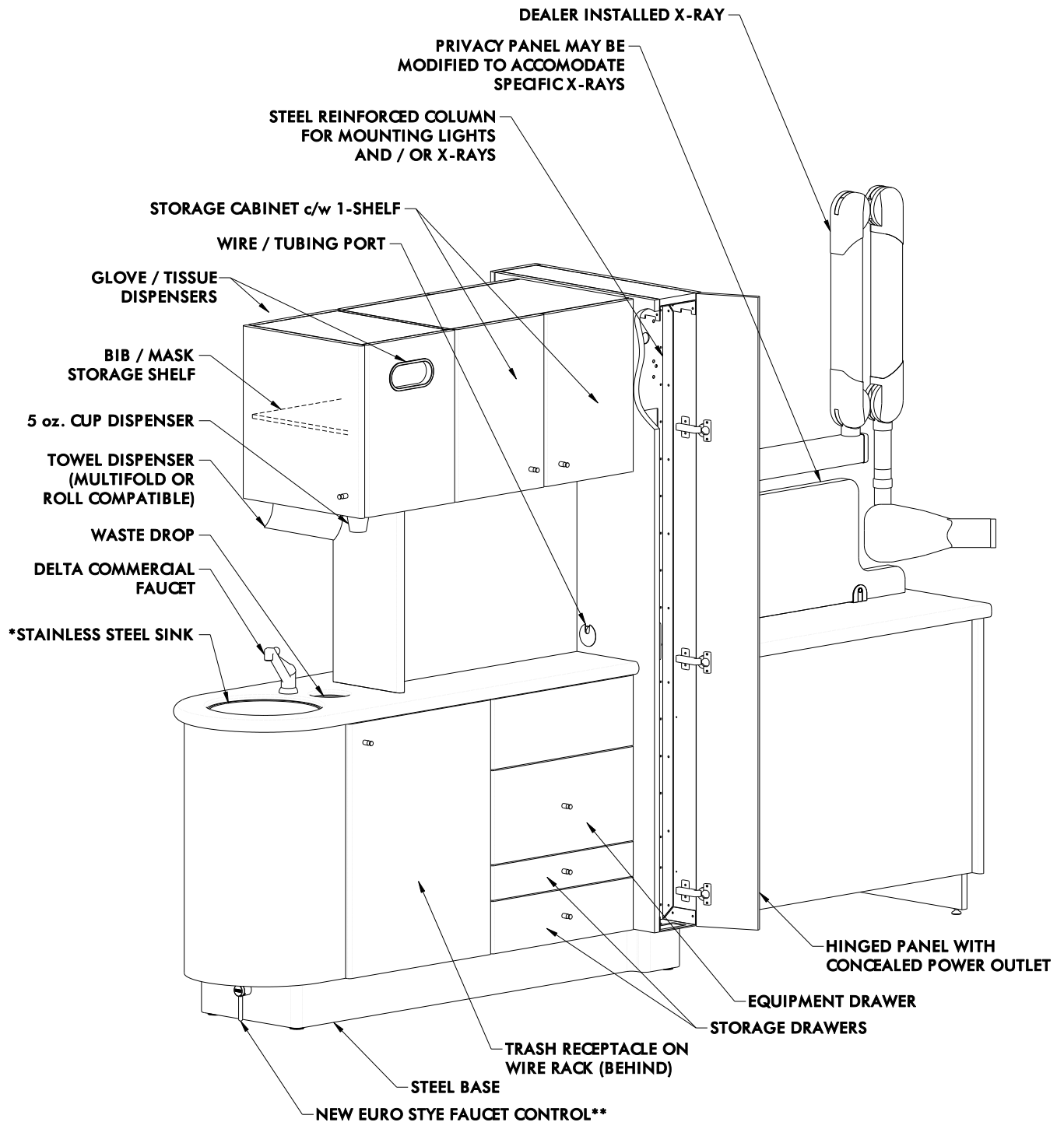
4 OPTIONS & ACCESSORIES

Hardware:	<input type="checkbox"/> Knob <input type="checkbox"/> Bow-Pull	\$N/C.....	\$ _____
Task Light:	<input type="checkbox"/> No <input type="checkbox"/> Yes	\$173.00 ea.	\$ _____
Extra Glove Dispensers	<input type="checkbox"/> No <input type="checkbox"/> Yes (Qty: ____)	\$110.00 ea.	\$ _____
Soap Pump:	<input type="checkbox"/> No <input type="checkbox"/> Yes	\$153.00 ea.	\$ _____
Digital Timer Clock:	<input type="checkbox"/> No <input type="checkbox"/> Yes	\$110.00 ea.	\$ _____
Foot Activated Faucet:	<input type="checkbox"/> No <input type="checkbox"/> Yes	\$784.00 ea.	\$ _____
Monitor Arm:	<input type="checkbox"/> No <input type="checkbox"/> Yes (w/ KEY TRAY <input type="checkbox"/>)	\$350.00 ea.	\$ _____
DCI Water Bottle Kit:	<input type="checkbox"/> No <input type="checkbox"/> Yes	\$463.00 ea.	\$ _____
Quick Connect:	<input type="checkbox"/> No <input type="checkbox"/> Single <input type="checkbox"/> Dual	\$100.00 / 120.00 ea.	\$ _____
Additional Options / Notes:	_____	_____	\$ _____
	_____	_____	\$ _____
	_____	_____	\$ _____

5 COLORS

Base Color: Surf Antique White Countertop Color: _____
 Accent Color: _____ (Colors chosen other than Bow Wood Select may be subject to an upcharge): \$ _____

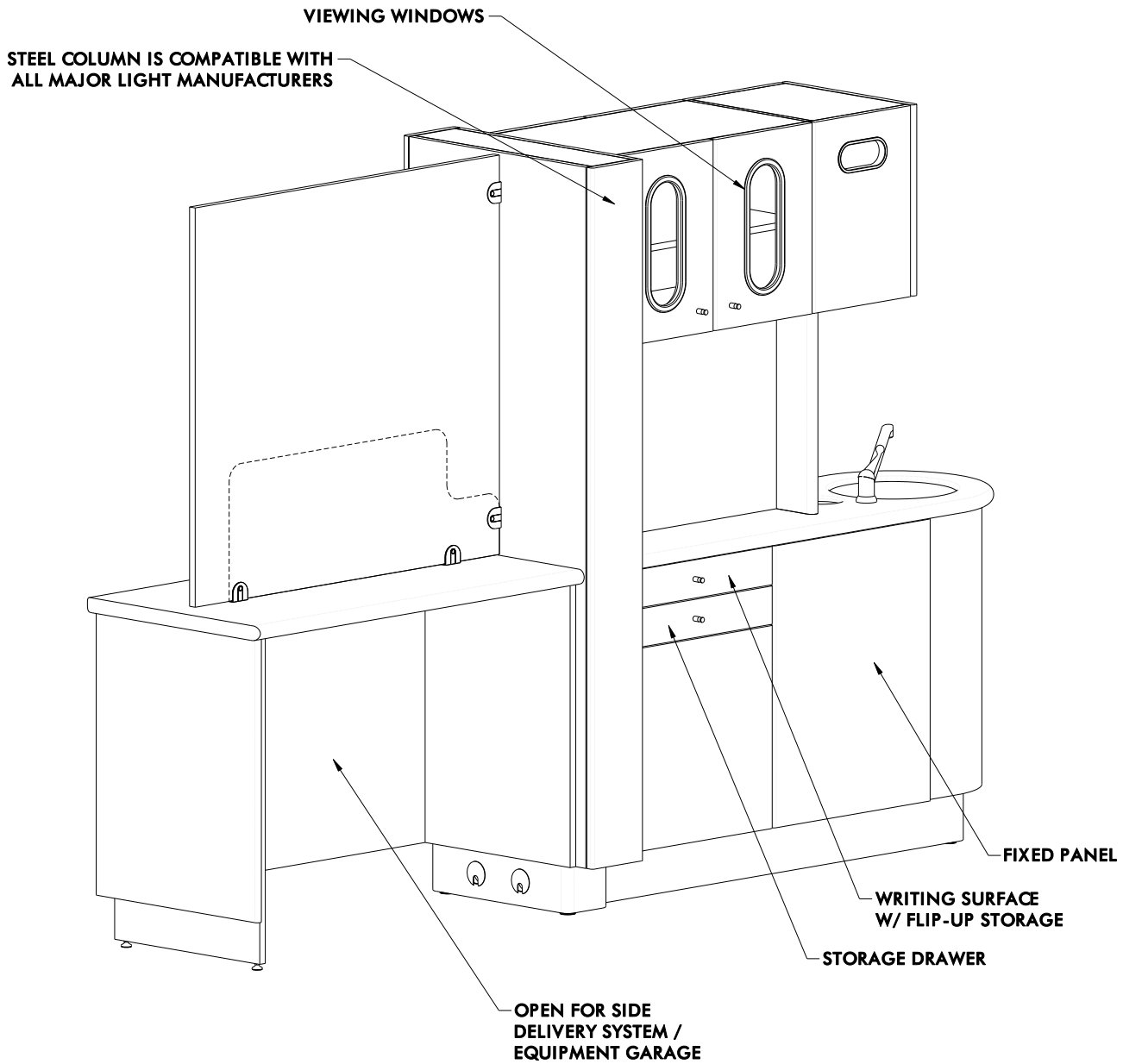
Doctor's Name: _____ Approved By: _____ Number of Units: _____ TOTAL: \$ _____



CIR
 ASSISTANT'S SIDE

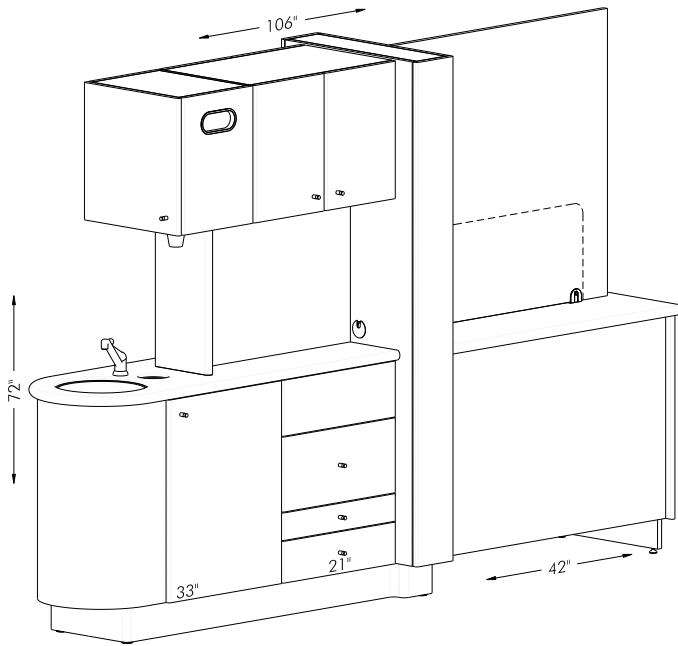
*Sink under mounted when ordered w/ Solid Surface countertop.
 **Also available as dual.

Some features shown are optional extras.



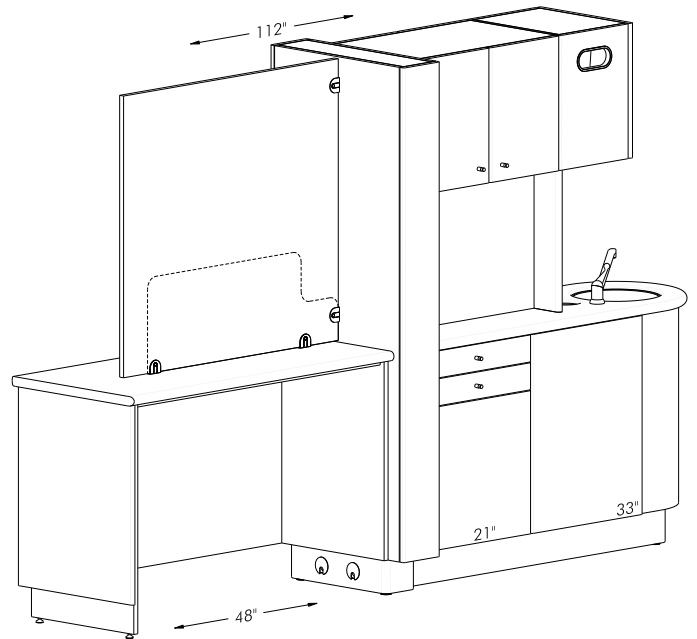
CIR
DOCTOR'S SIDE

Some features shown are optional extras.



ASSISTANT'S SIDE

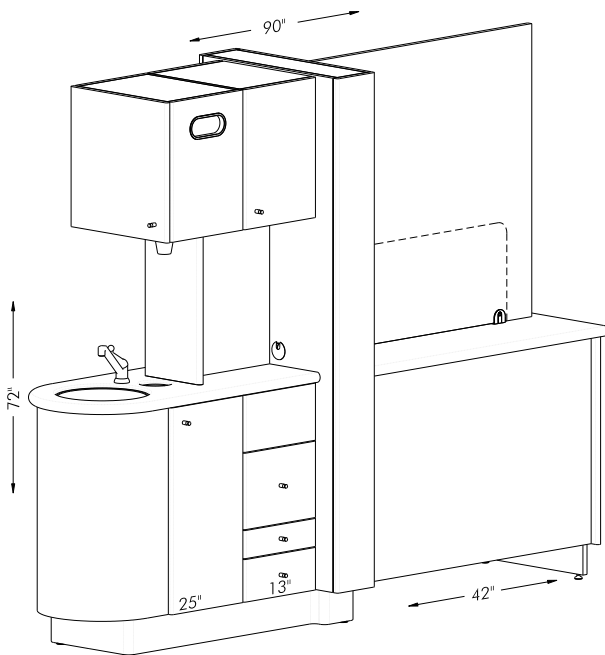
106" w/ Solid Surface..... \$8,160.00
106" w/ Laminate..... \$7,429.00



CIR

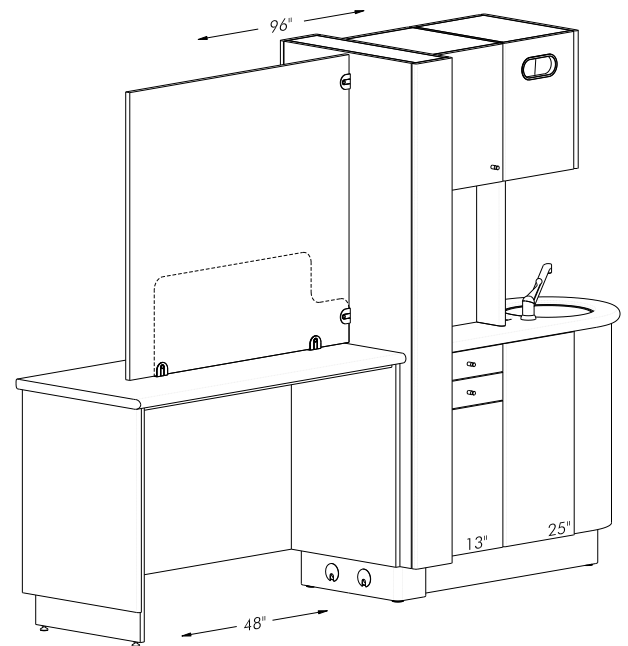
DOCTOR'S SIDE

112" w/ Solid Surface..... \$8,327.00
112" w/ Laminate..... \$7,596.00



ASSISTANT'S SIDE

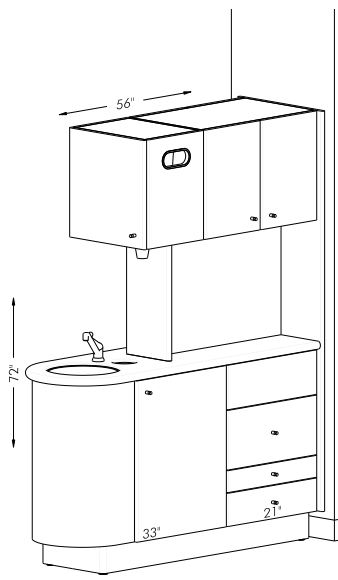
90" w/ Solid Surface..... \$7,102.00
90" w/ Laminate..... \$6,613.00



CIRS

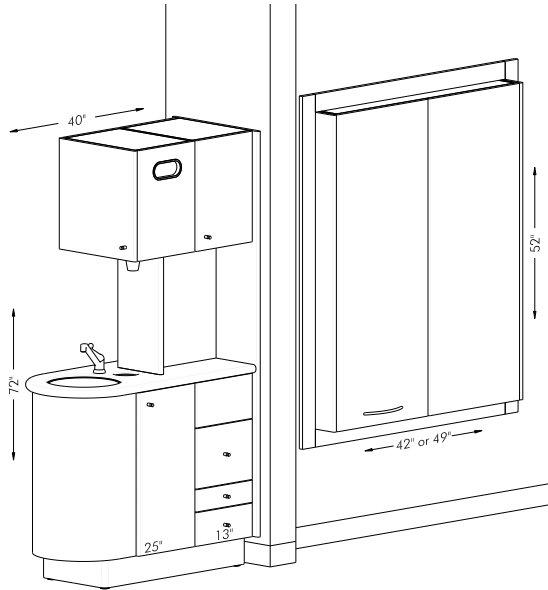
DOCTOR'S SIDE

96" w/ Solid Surface..... \$7,269.00
96" w/ Laminate..... \$6,780.00



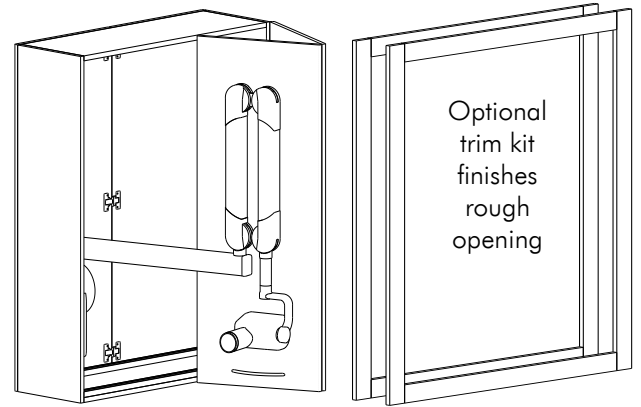
CIR H

56" w/ Solid Surface..... \$5,503.00
56" w/ Laminate..... \$4,744.00



CIRS H

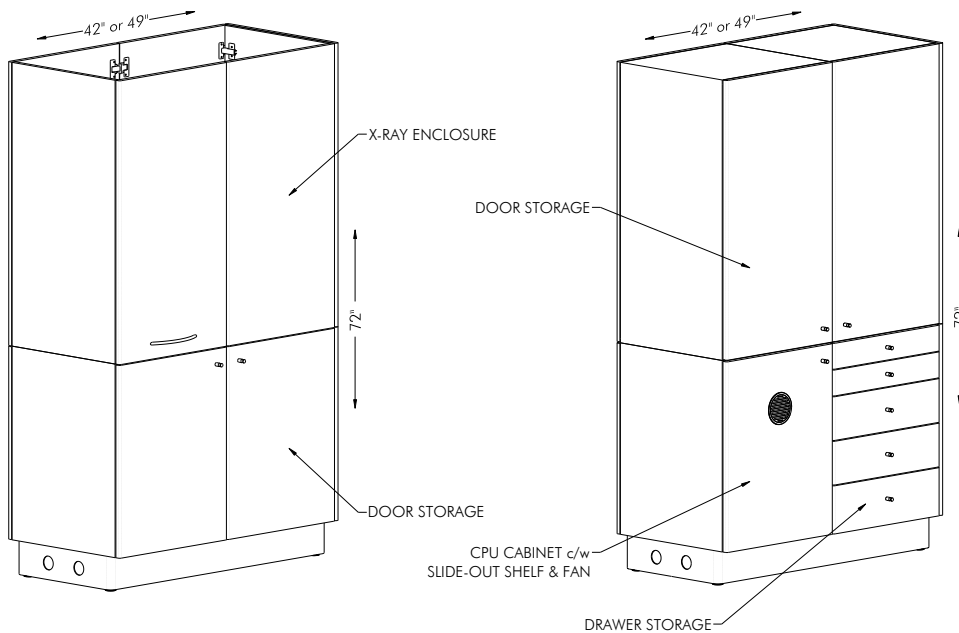
40" w/ Solid Surface..... \$4,491.00
40" w/ Laminate..... \$3,933.00



X-RAY PASS THRU

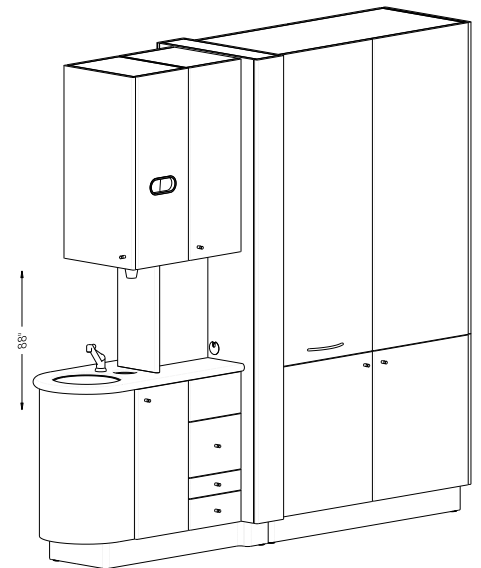
43" or 49" \$1,633.00
With Lead Lining \$2,963.00
Trim Kit \$547.00

OPTIONAL CONFIGURATIONS



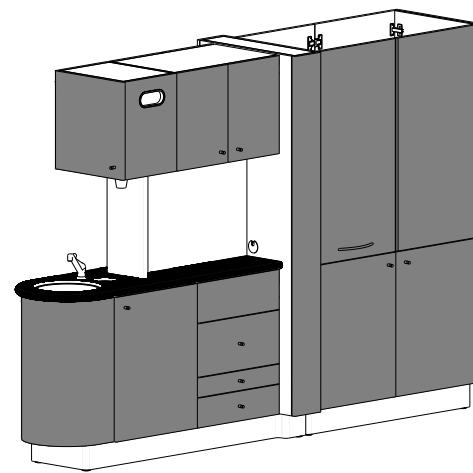
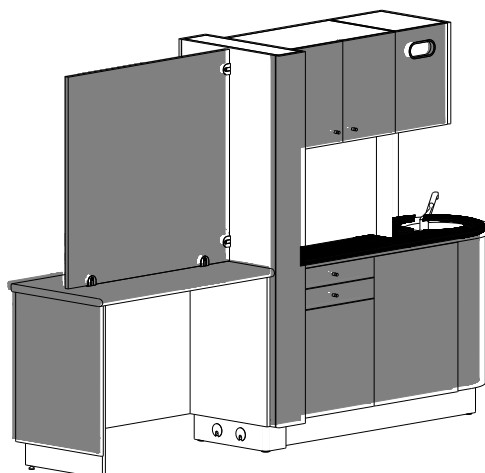
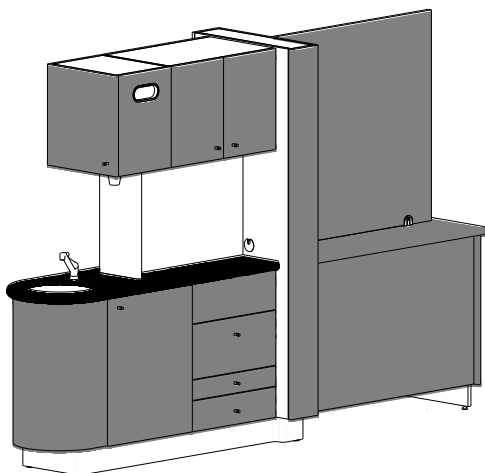
END OPTION ADDITIONS

X-ray Enclosure \$1,311.00
Base Storage \$1,093.00
Upper Storage \$1,311.00
Drawer Storage/ CPU \$1,783.00



TALL OPTION ADDITIONS

CIR Add \$874.00
CIRS Add \$765.00
If With X-ray Enclosure or
Upper Storage Add \$219.00



□ = BASE COLOR

■ = ACCENT

■ = COUNTER TOP

BASE COLOR

- Surf
- Antique White

ACCENT / FINISHED BACK COLORS

Meridian Series - See brochure for standard options.
Signature Series - Specify color required.

COUNTER TOP COLORS

Solid Surface

Meridian Series - See brochure for standard options.
Signature Series - See brochure for standard options, or specify color required.

Plastic Laminate

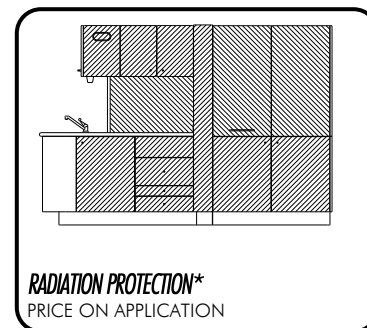
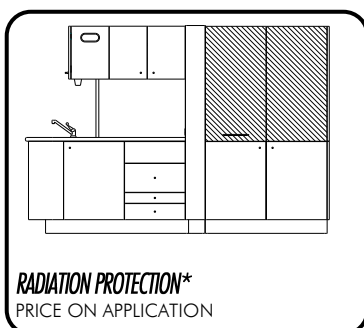
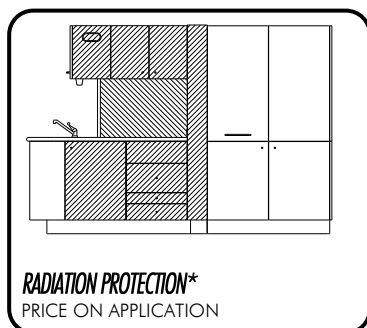
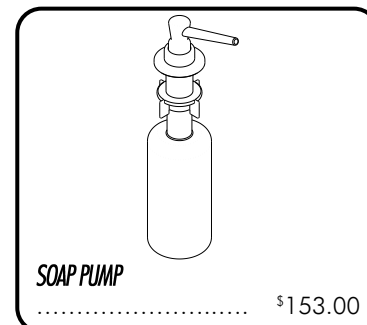
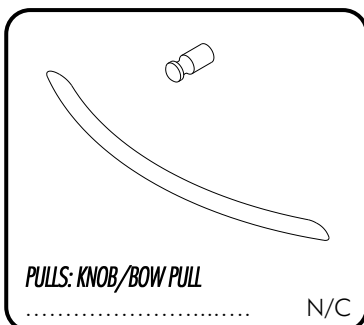
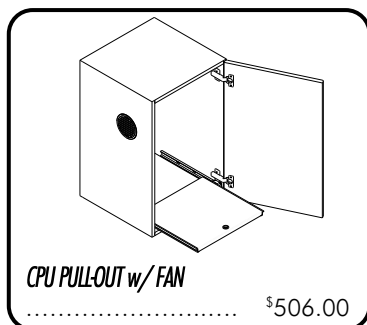
Meridian Series - See brochure for standard options.
Signature Series - Specify color required.

Special order colors can be specified in Signature Series, upcharge may apply.

SPECIAL COLOR INFORMATION

Other solid surface colors and laminates from Wilsonart, Formica, Nevamar and Pionite are available, subject to an additional charge, per color, per order. Color sample chips and other information is available on the internet and at local dealers specializing in these materials.

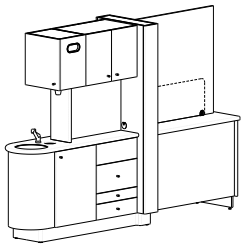
OPTIONS & ACCESSORIES



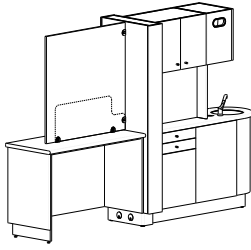
*1/64" LEAD IN AREA SHOWN. BOW WOOD ACCEPTS NO RESPONSIBILITY FOR COMPLIANCE WITH YOUR LOCAL RADIATION PROTECTION LAWS. CHECK WITH YOUR GOVERNING BODY TO ASSURE COMPLIANCE.

PLEASE MARK AN "X" CLEARLY IN THE APPROPRIATE BOXES

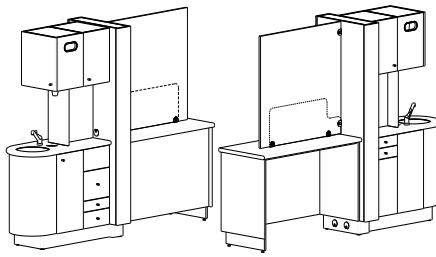
1 STANDARD CONFIGURATIONS



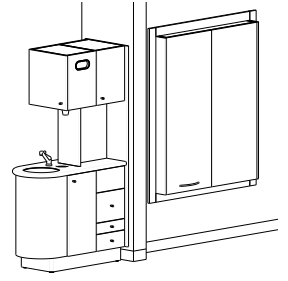
CIR



CIRS



CIR H



CIRS H

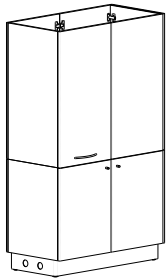
XPT

CIR: 106" 112" CIRS: 90" 96" PT: 42" 49"

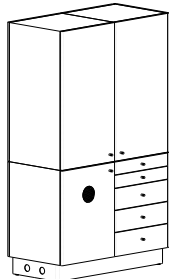
Countertop: Solid Surface Laminate

\$ _____

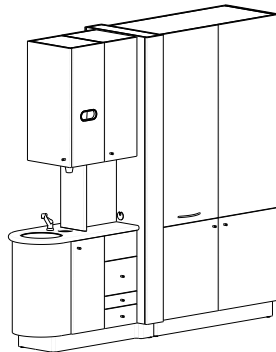
2 OPTIONAL CONFIGURATIONS



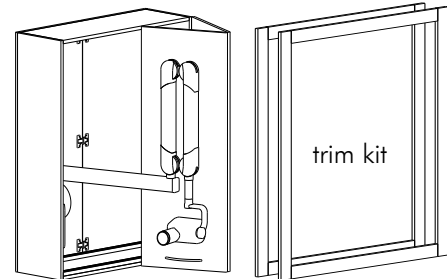
- X-ray Enclosure
- Base Storage



- Upper Storage
- Drawer Storage
- CPU Cabinet



- Tall CIR
- Tall CIRS
- Tall X-ray Enclosure
- Tall Upper Storage



- w/ Lead Lining
- Trim Kit

\$ _____

3 OPTIONS & ACCESSORIES

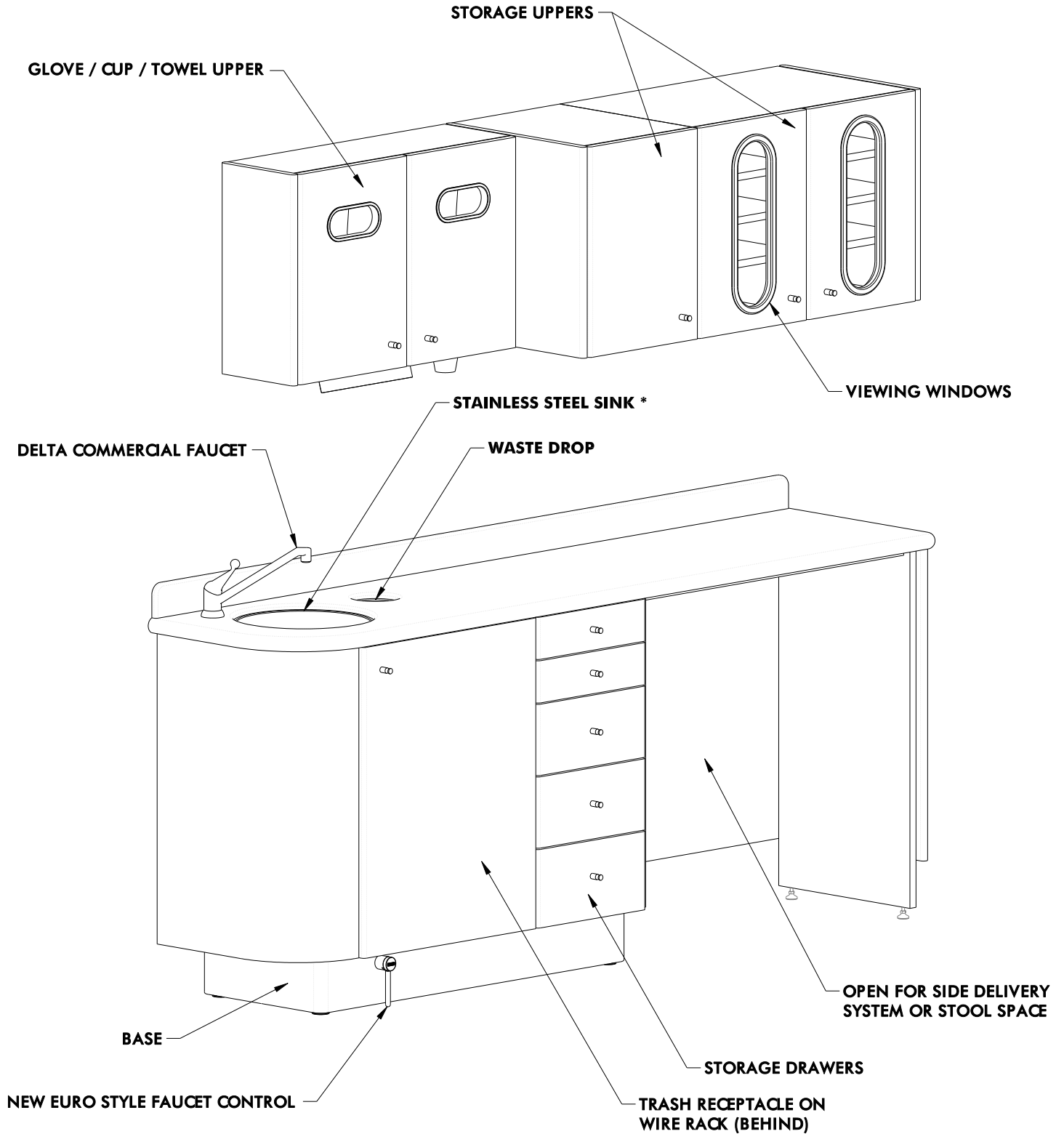
Hardware:	<input type="checkbox"/> Knob <input type="checkbox"/> Bow-Pull	\$N/C.....	\$ _____
Oval Windows:	<input type="checkbox"/> No <input type="checkbox"/> Yes (Qty: _____)	\$138.00 ea.	\$ _____
Extra Glove Dispensers	<input type="checkbox"/> No <input type="checkbox"/> Yes (Qty: _____)	\$110.00 ea.	\$ _____
Soap Pump:	<input type="checkbox"/> No <input type="checkbox"/> Yes	\$153.00 ea.	\$ _____
Foot Activated Faucet:	<input type="checkbox"/> No <input type="checkbox"/> Yes	\$784.00 ea.	\$ _____
Dual Foot Activated Faucet:	<input type="checkbox"/> No <input type="checkbox"/> Yes	\$935.00 ea.	\$ _____
R.P. - Sink End:	<input type="checkbox"/> No <input type="checkbox"/> Yes	PRICE ON APPLICATION.....	\$ _____
R.P. - X-ray Enclosure:	<input type="checkbox"/> No <input type="checkbox"/> Yes	PRICE ON APPLICATION.....	\$ _____
R.P. - Full Island:	<input type="checkbox"/> No <input type="checkbox"/> Yes	PRICE ON APPLICATION.....	\$ _____
Additional Options / Notes:	_____	_____	\$ _____
	_____	_____	\$ _____
	_____	_____	\$ _____

To Fit Lights: No Yes Make: _____ Model: _____
 To Fit X-ray: No Yes Make: _____ Model: _____

4 COLORS

Base Color: Surf Antique White Countertop Color: _____
 Accent Color: _____ (Colors chosen other than Bow Wood Select may be subject to an upcharge): \$ _____

Doctor's Name: _____ Approved By: _____ Number of Units: _____ TOTAL: \$ _____



DRSL

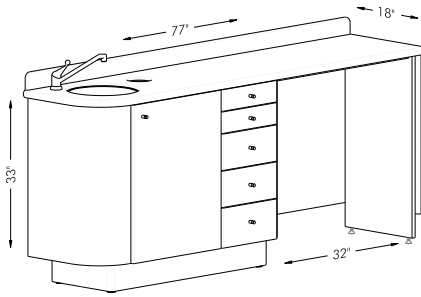
*Sink under mounted when ordered w/ Solid Surface countertop.

Some features shown are optional extras.

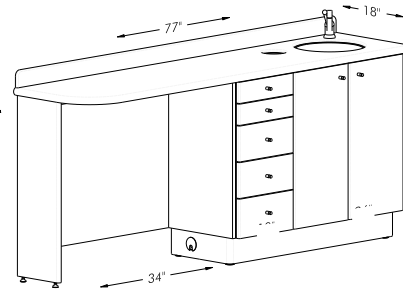
SIDE CABINETS
STANDARD CONFIGURATIONS



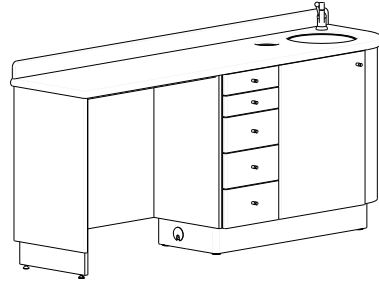
Bow Wood
cabinet systems



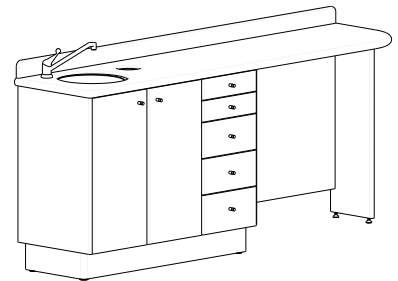
DRSL



DRSL-T

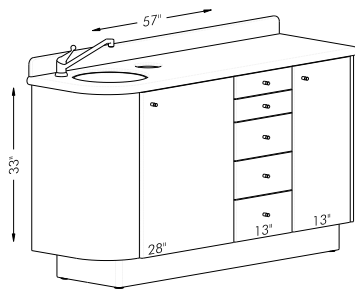


DRSR

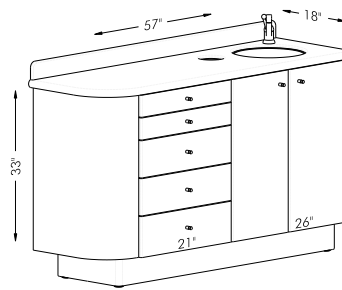


DRSR-T

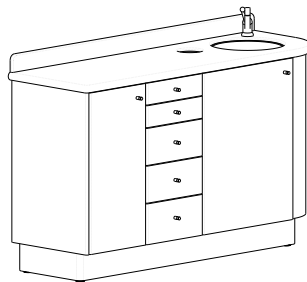
w/ Solid Surface..... \$4,269.00
w/ Laminate..... \$3,152.00



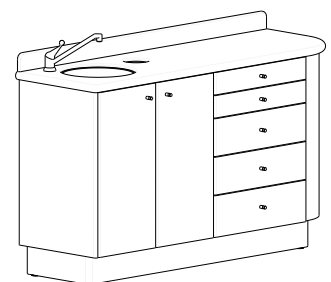
ASTL



ASTL-T

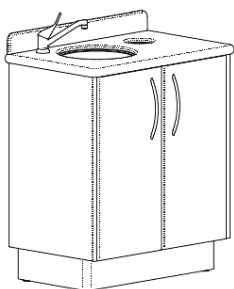


ASTR

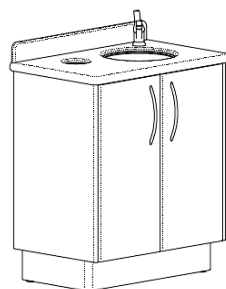


ASTR-T

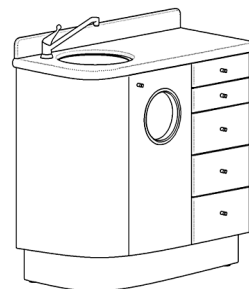
w/ Solid Surface..... \$3,933.00
w/ Laminate..... \$3,075.00



WSL



WSR



WSLD



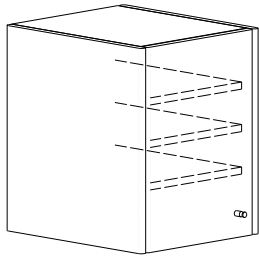
WSRD

w/ Solid Surface..... \$1,958.00
w/ Laminate..... \$1,617.00

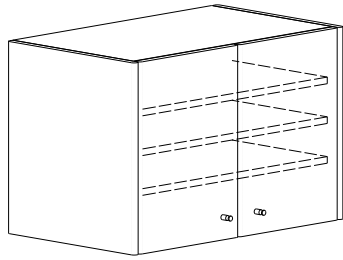
w/ Solid Surface..... \$2,310.00
w/ Laminate..... \$1,969.00

SIDE CABINETS

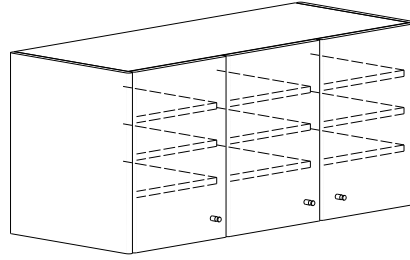
STANDARD CONFIGURATIONS



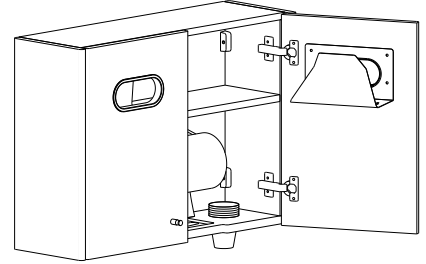
STU-1



STU-2



STU-3

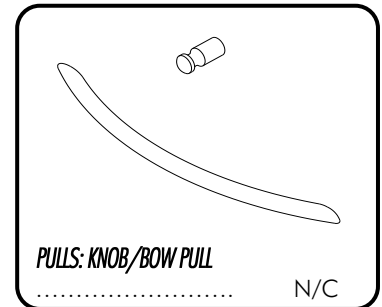
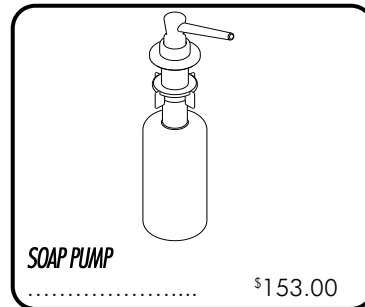
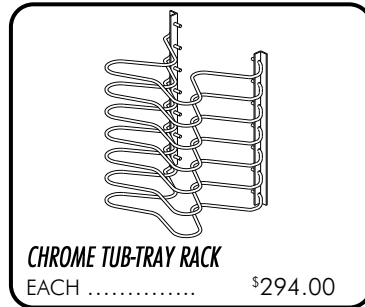
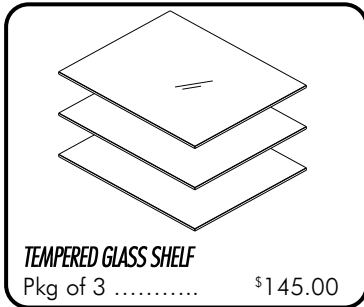
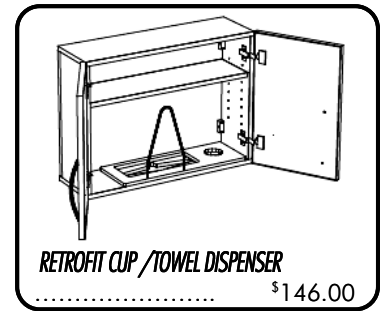
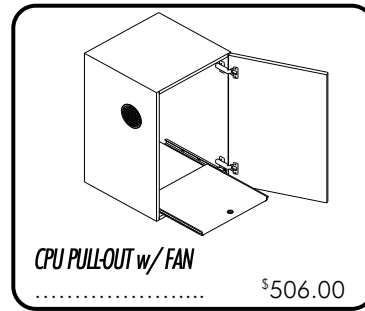
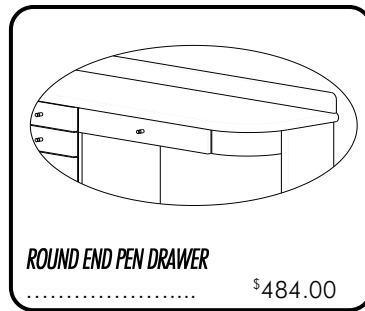
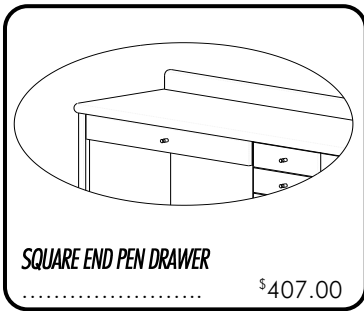


GCT

STU-1 13" Double Door \$369.00
 STU-2 26" Double Door \$473.00
 STU-3 40" Triple Door \$836.00

GCT 26" Double Door \$611.00

OPTIONS & ACCESSORIES

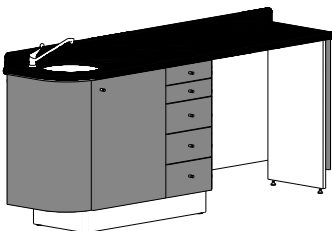
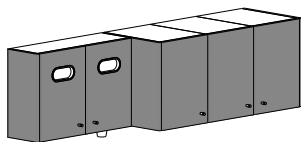


COLOR LOCATIONS

□ = BASE COLOR

■ = ACCENT

■ = COUNTER TOP



BASE COLOR

- Surf
- Antique White

ACCENT COLORS

Meridian Series - See brochure for standard options.
 Signature Series - Specify color required.

COUNTER TOP COLORS

Solid Surface

Meridian Series - See brochure for standard options.
 Signature Series - See brochure for standard options, or specify color required.

Plastic Laminate

Meridian Series - See brochure for standard options.
 Signature Series - Specify color required.

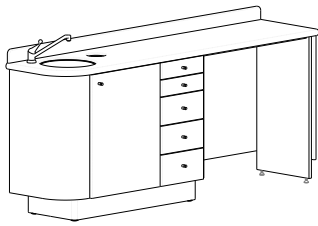
Special order colors can be specified in Signature Series, upcharge may apply.

SPECIAL COLOR INFORMATION

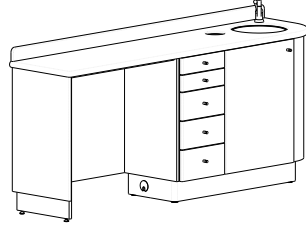
Other solid surface colors and laminates from Wilsonart, Formica, Nevamar and Pionite are available, subject to an additional charge, per color, per order. Color sample chips and other information is available on the internet and at local dealers specializing in these materials.

PLEASE MARK AN "X" CLEARLY IN THE APPROPRIATE BOXES

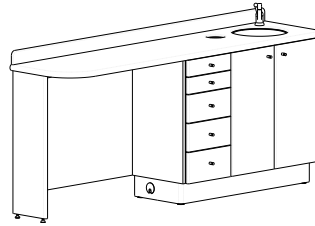
1 STANDARD CONFIGURATIONS



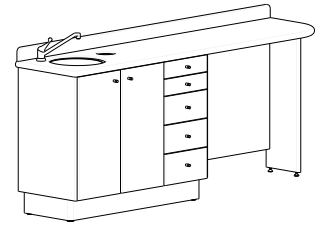
DRSL



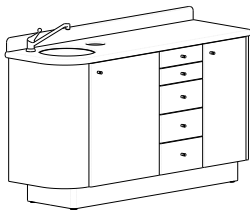
DRSR



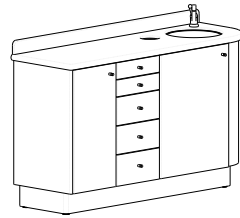
DRSL-T



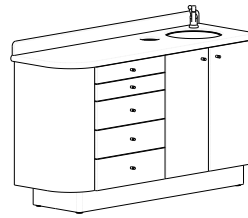
DRSR-T



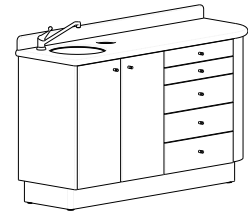
ASTL



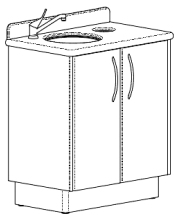
ASTR



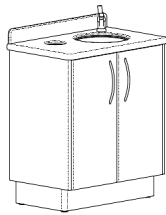
ASTL-T



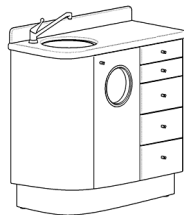
ASTR-T



WSL



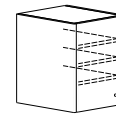
WSR



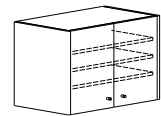
WSLD



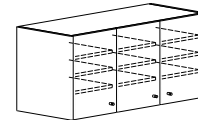
WSRD



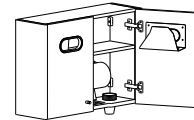
STU-1



STU-2



STU-3



GCT

Countertop: Solid Surface Laminate

\$ _____

2 OPTIONS & ACCESSORIES

Hardware:	<input type="checkbox"/> Knob <input type="checkbox"/> Bow-Pull	\$N/C.....	\$ _____
Oval Windows:	<input type="checkbox"/> No <input type="checkbox"/> Yes (Qty: _____)	\$138.00 ea.	\$ _____
Tempered Glass Shelves:	<input type="checkbox"/> No <input type="checkbox"/> Yes (Qty-pkg of 3: _____)	\$145.00 ea.	\$ _____
Chrome Tub/Tray Racks:	<input type="checkbox"/> No <input type="checkbox"/> Yes	\$294.00 ea.	\$ _____
Soap Pump:	<input type="checkbox"/> No <input type="checkbox"/> Yes	\$153.00 ea.	\$ _____
Foot Activated Faucet:	<input type="checkbox"/> No <input type="checkbox"/> Yes	\$784.00 ea.	\$ _____
Square End Pen Drawer:	<input type="checkbox"/> No <input type="checkbox"/> Yes	\$407.00 ea.	\$ _____
Round End Pen Drawer:	<input type="checkbox"/> No <input type="checkbox"/> Yes	\$484.00 ea.	\$ _____
CPU Pull-out w/ Fan:	<input type="checkbox"/> No <input type="checkbox"/> Single <input type="checkbox"/> Dual	\$506.00 ea.	\$ _____
Additional Options / Notes:	_____	_____	\$ _____
	_____	_____	\$ _____
	_____	_____	\$ _____

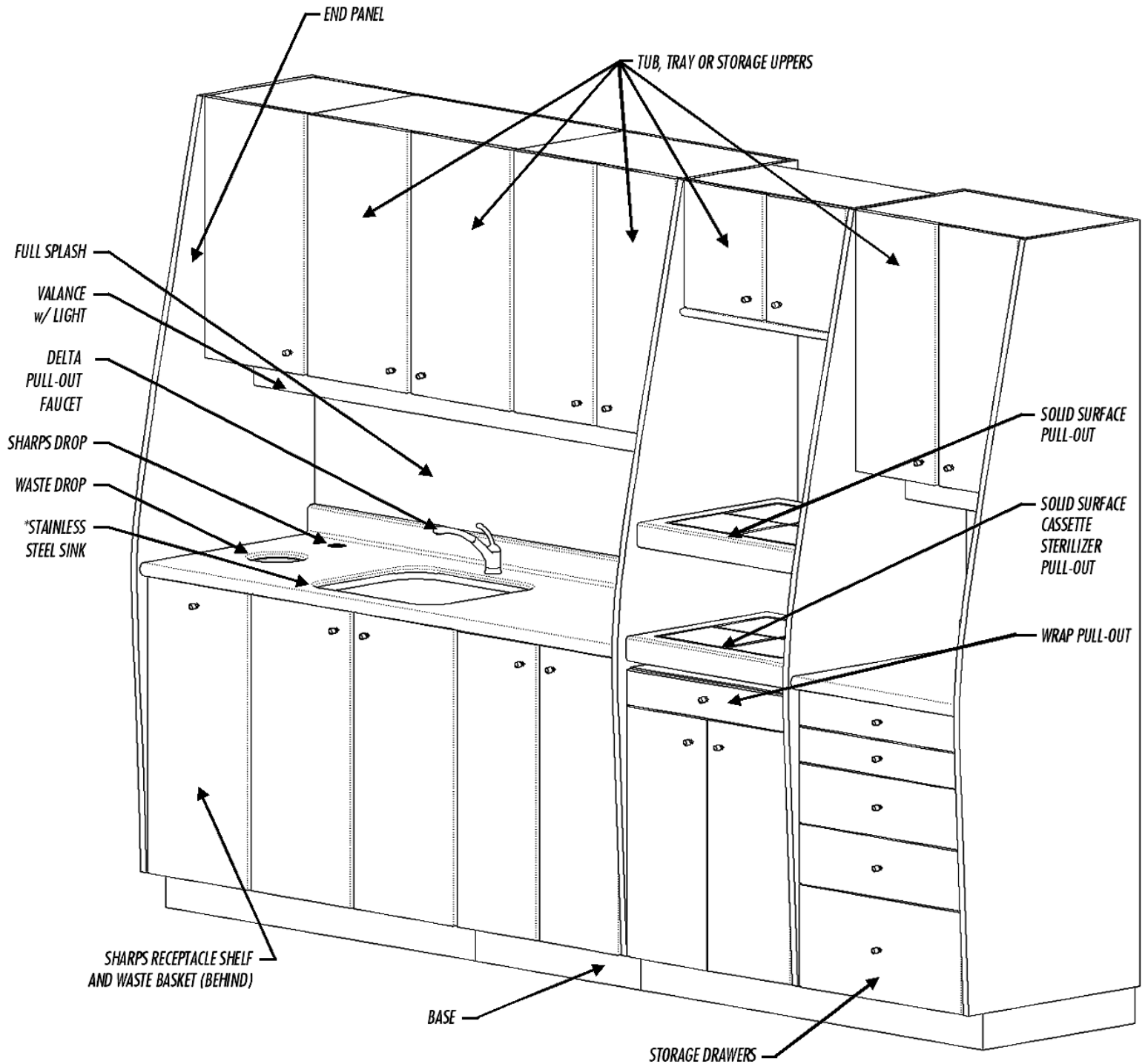
3 COLORS

Base Color: Surf Antique White
 Accent Color: _____

Countertop Color: _____

(Colors chosen other than Bow Wood Select may be subject to an upcharge):

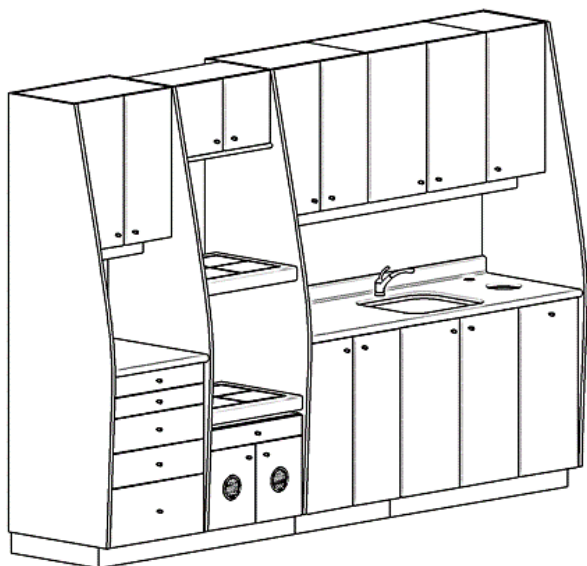
Doctor's Name: _____ Approved By: _____ Number of Units: _____ TOTAL: _____



SC

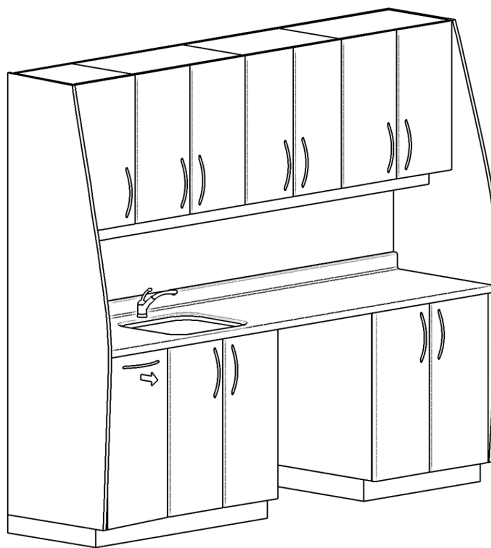
*Sink under mounted when ordered w/ Solid Surface countertop.

**Two sterilizer tower option available



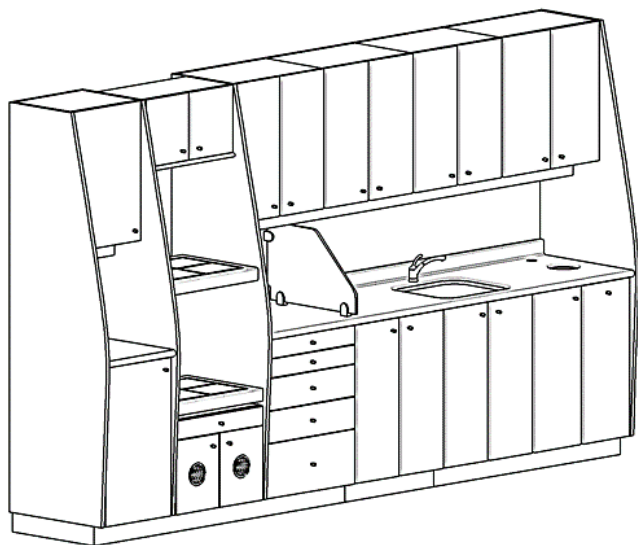
SC10 - 10' Steri

w/ Solid Surface \$13,605.00
w/ Laminate \$12,133.00



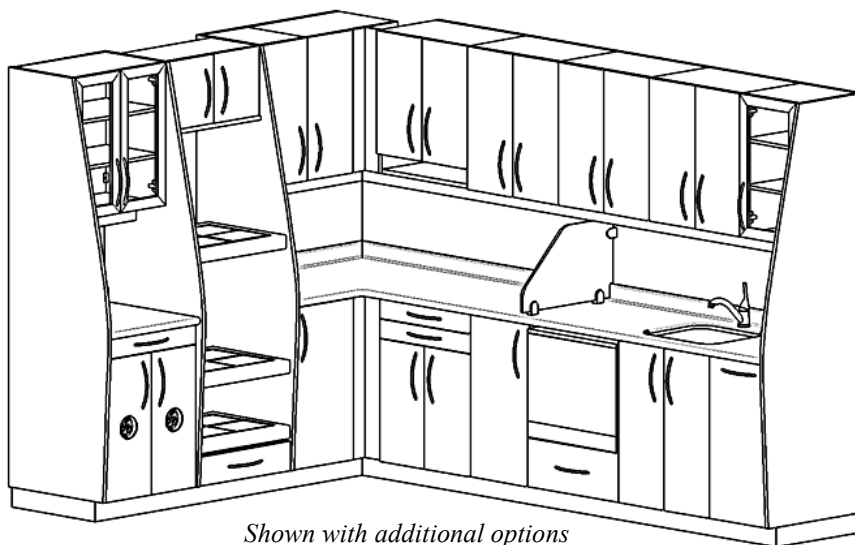
SC-GS - Galley Style 8'x8'

w/ Solid Surface \$19,578.00
w/ Laminate \$17,193.00



SC12 - 12' Steri

w/ Solid Surface \$15,780.00
w/ Laminate \$14,014.00



Shown with additional options

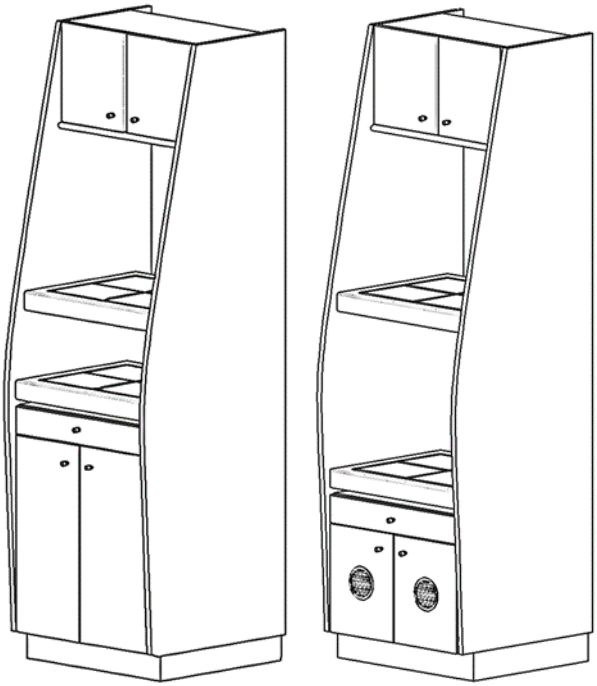
SC-LS - L-Shaped Steri 10'x8'

w/ Solid Surface \$22,265.00
w/ Laminate \$19,616.00

Sterilization Cabinets may be reversed left to right at no charge

STERILIZATION CENTRE

OPTIONAL CONFIGURATIONS



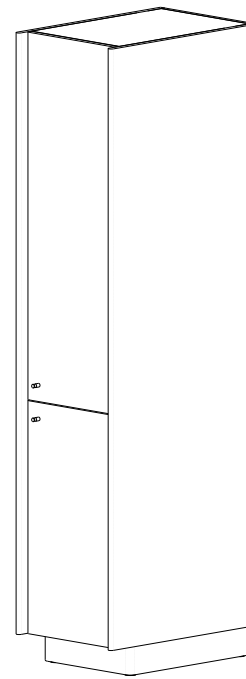
TOWER

- SCT Standard \$3,775.00
- SCT w/ Fan \$3,965.00



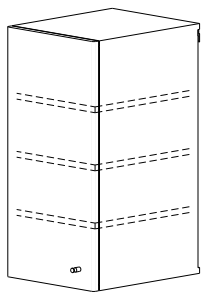
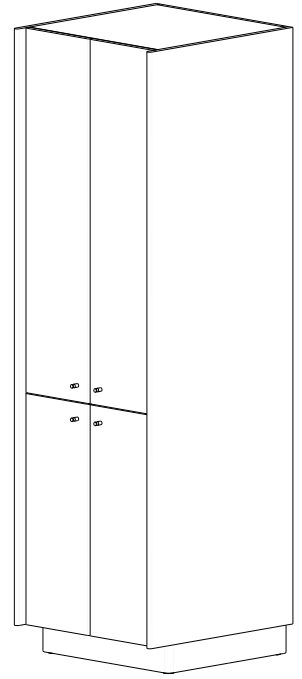
END PANEL

- Curved \$395.00



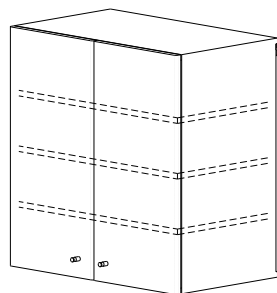
PANTRY MODULES

- 18" \$1,804.00
- 26" \$2,016.00



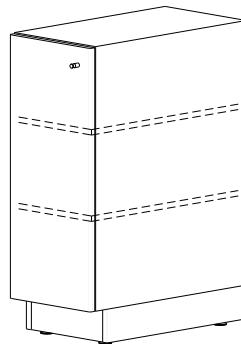
SINGLE DOOR UPPER

- 12" \$409.00
- 13" \$409.00
- 16" \$409.00
- 20" \$409.00



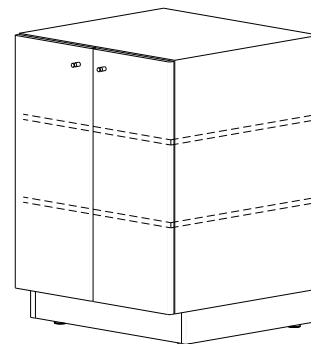
DOUBLE DOOR UPPER

- 24" \$565.00
- 26" \$565.00
- 28" \$565.00
- 32" \$565.00



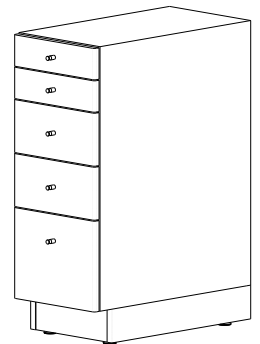
SINGLE DOOR BASE

- 12" \$482.00
- 13" \$482.00
- 16" \$482.00
- 20" \$482.00



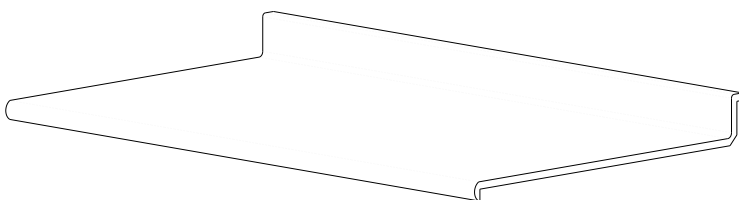
DOUBLE DOOR BASE

- 24" \$622.00
- 26" \$622.00
- 28" \$622.00
- 32" \$622.00

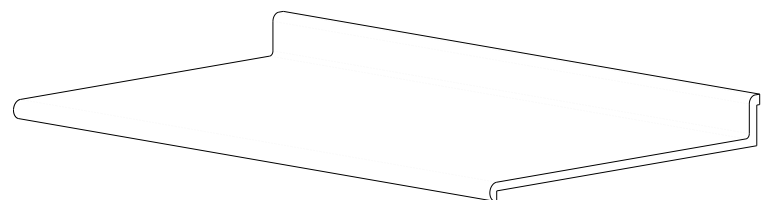


DRAWER BANK

- 12" \$852.00
- 13" \$852.00
- 16" \$852.00
- 20" \$852.00




- CORIAN COUNTER PER FOOT** \$390.00
- COVERED SPLASH
- SVELTE PROFILE SOLID SURFACE \$350.00



- LAMINATE COUNTER PER FOOT** \$195.00

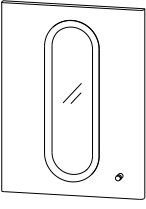
Consult your local Bow Wood representative for custom set-ups.



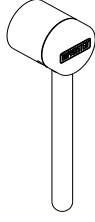
EXTRA CORIAN PULL-OUT
 Each \$825.00



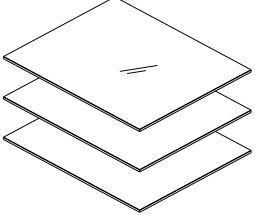
RED OR BLUE DISPLAY LIGHT
 Behind Windows \$195.00



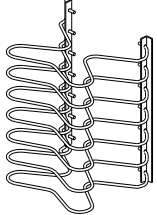
OVAL GLASS WINDOWS
 \$138.00




FAUCET CONTROL
 \$784.00



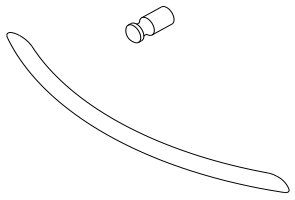
TEMPERED GLASS SHELF
 Pkg of 3 \$145.00



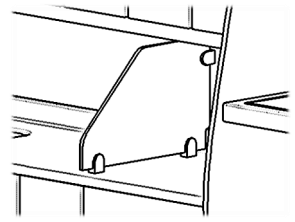
CHROME TUBTRAY RACK
 \$369.00



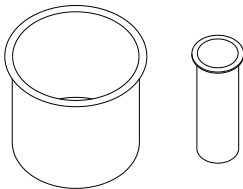
SOAP PUMP
 \$153.00



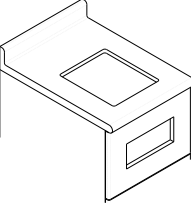
PULLS: KNOB/BOW PULL
 N/C



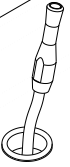
CORIAN DIVIDER
 \$275.00



EXTRA WASTE \$115.00
EXTRA SHARPS \$70.00



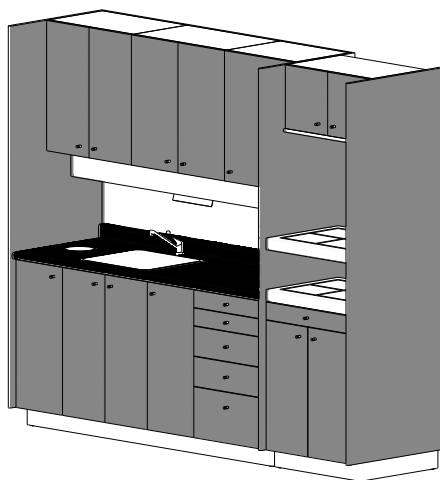
ULTRASONIC CUT-OUT
 \$240.00



HVE w/COUNTER GROMMET
 \$225.00

COLOR LOCATIONS

□ = BASE COLOR ■ = ACCENT ■ = COUNTER TOP



BASE COLOR
 Surf
 Antique White

ACCENT COLORS
 Meridian Series - See brochure for standard options.
 Signature Series - Specify color required.

COUNTER TOP COLORS
Solid Surface
 Meridian Series - See brochure for standard options.
 Signature Series - See brochure for standard options, or specify color required.
Plastic Laminate
 Meridian Series - See brochure for standard options.
 Signature Series - Specify color required.

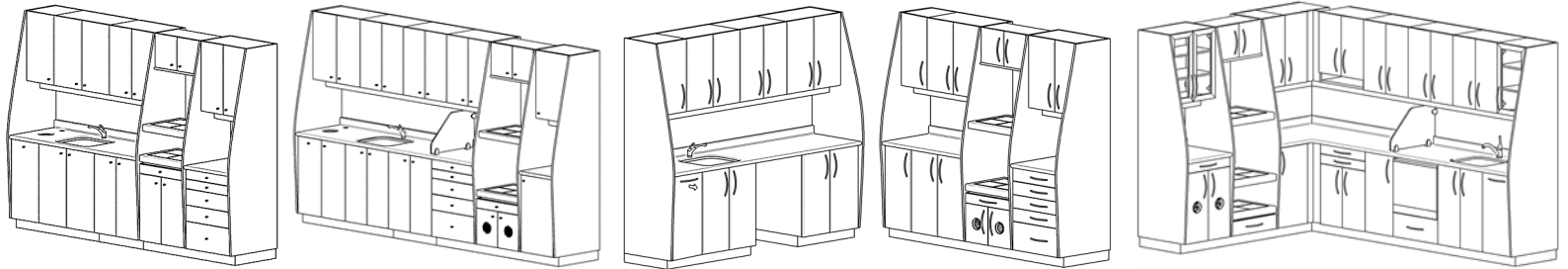
Special order colors can be specified in Signature Series, upcharge may apply.

SPECIAL COLOR INFORMATION

Other solid surface colors and laminates from Wilsonart, Formica, Nevamar and Pionite are available, subject to an additional charge, per color, per order. Color sample chips and other information is available on the internet and at local dealers specializing in these materials.

PLEASE MARK AN "X" CLEARLY IN THE APPROPRIATE BOXES

1 STANDARD CONFIGURATIONS



SC10

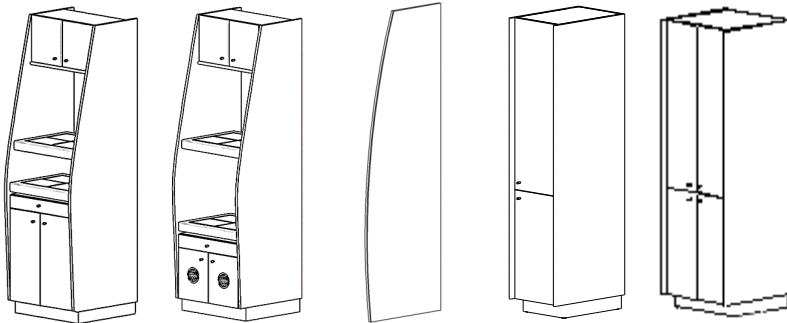
SC12

SC-6S

SC1S

Reverse from left to right: Yes No Countertop: Solid Surface Laminate \$ _____

2 OPTIONAL CONFIGURATIONS

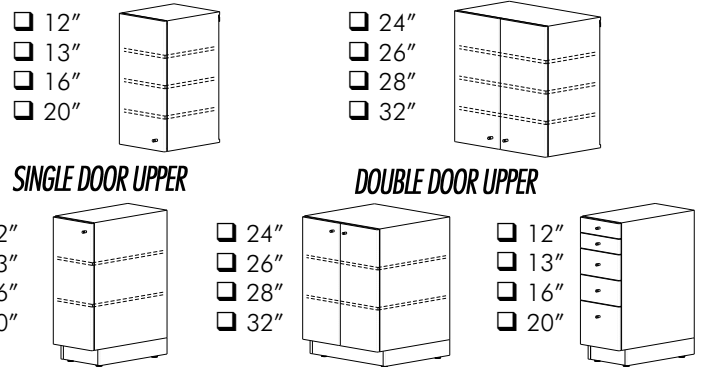


SCS TOWER
 SCT TOWER

CURVED PANEL

18" PANTRY
 26" PANTRY

Consult your representative for design assistance



SINGLE DOOR UPPER

DOUBLE DOOR UPPER

SINGLE DOOR BASE

DOUBLE DOOR BASE

DRAWER BANK

Countertop: Solid Surface Laminate \$ _____

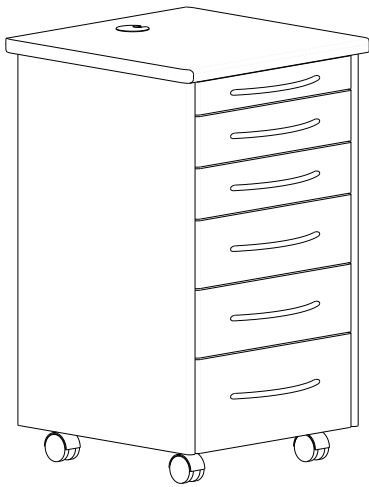
3 OPTIONS & ACCESSORIES

Hardware:	<input type="checkbox"/> Knob	<input type="checkbox"/> Bow-Pull	\$N/C.....	\$ _____
Extra Corian Pull-out	<input type="checkbox"/> No	<input type="checkbox"/> Yes	\$825.00 ea.	\$ _____
Red Display Light:	<input type="checkbox"/> No	<input type="checkbox"/> Yes (Qty: _____)	\$195.00 ea.	\$ _____
Blue Display Light:	<input type="checkbox"/> No	<input type="checkbox"/> Yes (Qty: _____)	\$195.00 ea.	\$ _____
Oval Windows:	<input type="checkbox"/> No	<input type="checkbox"/> Yes (Qty: _____)	\$138.00 ea.	\$ _____
Foot Activated Faucet:	<input type="checkbox"/> No	<input type="checkbox"/> Yes	\$784.00 ea.	\$ _____
Tempered Glass Shelves	<input type="checkbox"/> No	<input type="checkbox"/> Yes (Qty-pkg of 3: _____)	\$145.00 ea.	\$ _____
Chrome Tub/Tray Racks:	<input type="checkbox"/> No	<input type="checkbox"/> Yes	\$369.00 ea.	\$ _____
Soap Pump:	<input type="checkbox"/> No	<input type="checkbox"/> Yes	\$153.00 ea.	\$ _____
Above Counter Corian Divider:	<input type="checkbox"/> No	<input type="checkbox"/> Yes	\$275.00 ea.	\$ _____
Extra Waste Drop:	<input type="checkbox"/> No	<input type="checkbox"/> Yes (w/ KEY TRAY <input type="checkbox"/>)	\$115.00 ea.	\$ _____
Extra Sharps Drop:	<input type="checkbox"/> No	<input type="checkbox"/> Yes	\$ 70.00 ea.	\$ _____
Ultrasonic Cutout:	<input type="checkbox"/> No	<input type="checkbox"/> Single <input type="checkbox"/> Dual	\$240.00 ea.	\$ _____
HVE w/Counter Grommet	<input type="checkbox"/> No	<input type="checkbox"/> Yes	\$225.00 ea.	\$ _____
Additional Options / Notes:	_____		_____	\$ _____
	_____		_____	\$ _____
	_____		_____	\$ _____

4 COLORS

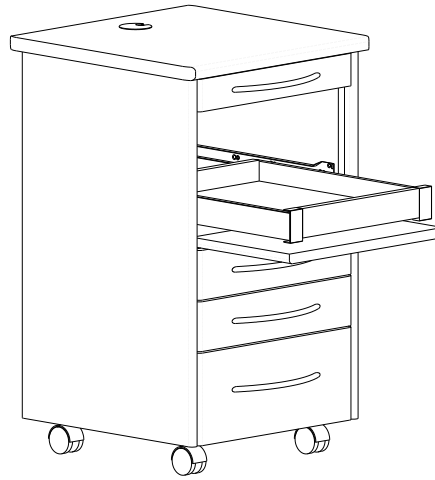
Base Color: Surf Antique White Countertop Color: _____
 Accent Color: _____ (Colors chosen other than Bow Wood Select may be subject to an upcharge): \$ _____

Doctor's Name: _____ Approved By: _____ Number of Units: _____ **TOTAL:** _____



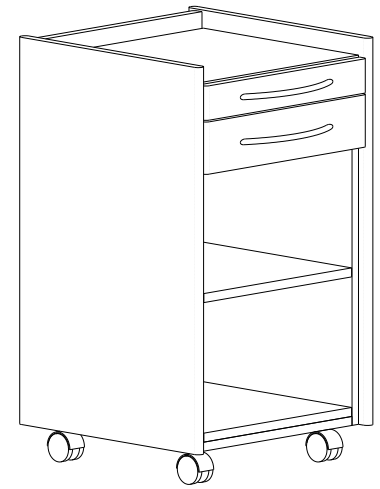
DOCTOR'S

16" \$1,084.00
18" \$1,084.00



ASSISTANT'S

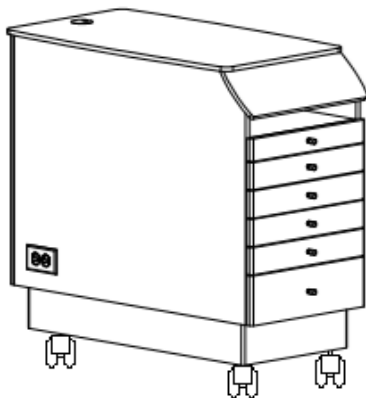
16" \$1,084.00
18" \$1,084.00



UTILITY

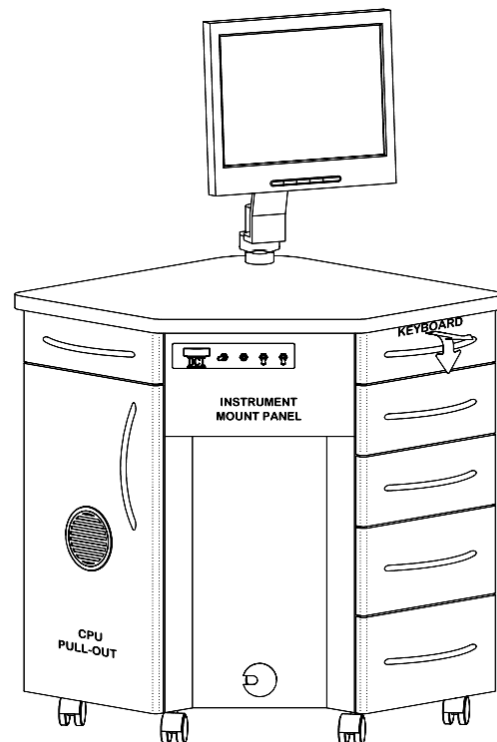
16" \$913.00
18" \$913.00

*Base colors only. Accent colors may be specified subject to an upcharge.



MCI

19" \$1,586.00
Castors available



MCO

24" \$2,074.00

*Base colors only. Accent colors may be specified subject to an upcharge.





*Beautiful eye-catching
style to enhance your image*

Our Values

Integrity

Fairness, honesty and trustworthiness.

Commitment

We treat each project as our own.

Teamwork

Together we can achieve more.

Continuous Improvement

Continual learning underscores
Continual improvement.



Bow Wood Inc.

404 Prospect Avenue, Oxbow, SK, S0C 2B0

Tel: 1-888-269-9663

E-mail: design@bowwood.net

Website: www.bowwood.net